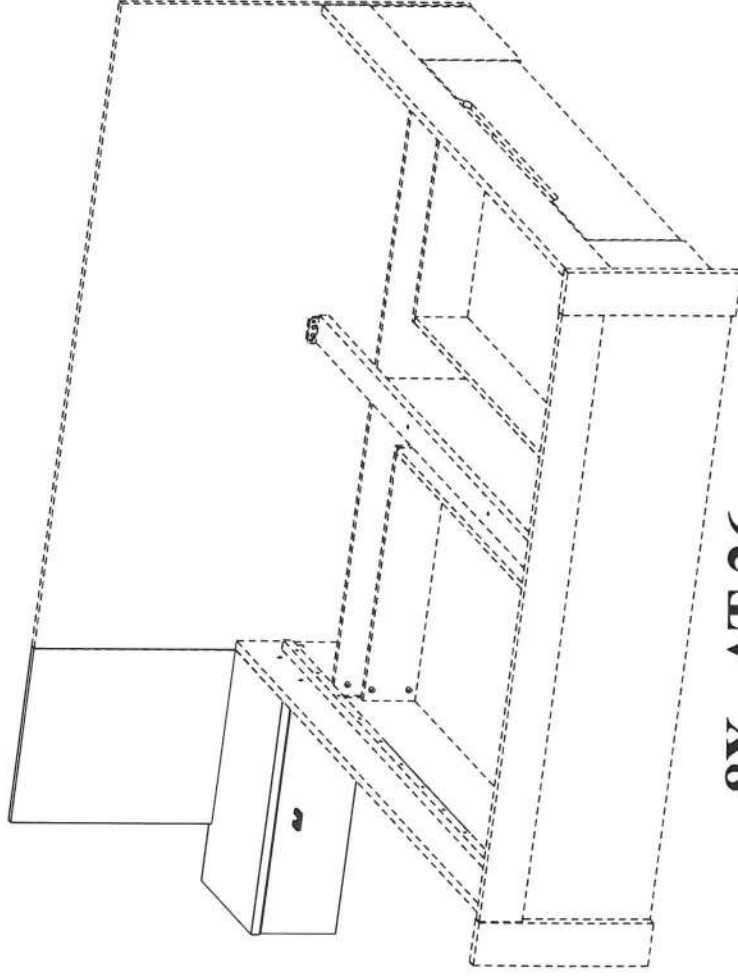
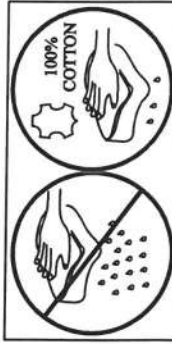
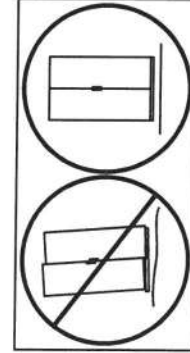
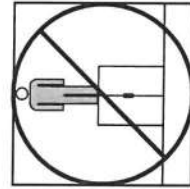
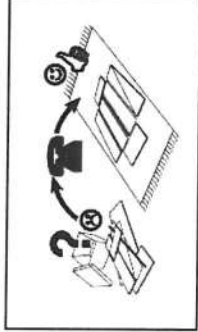
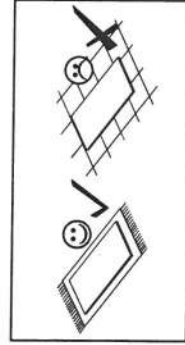
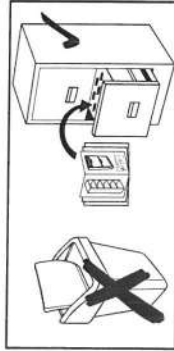
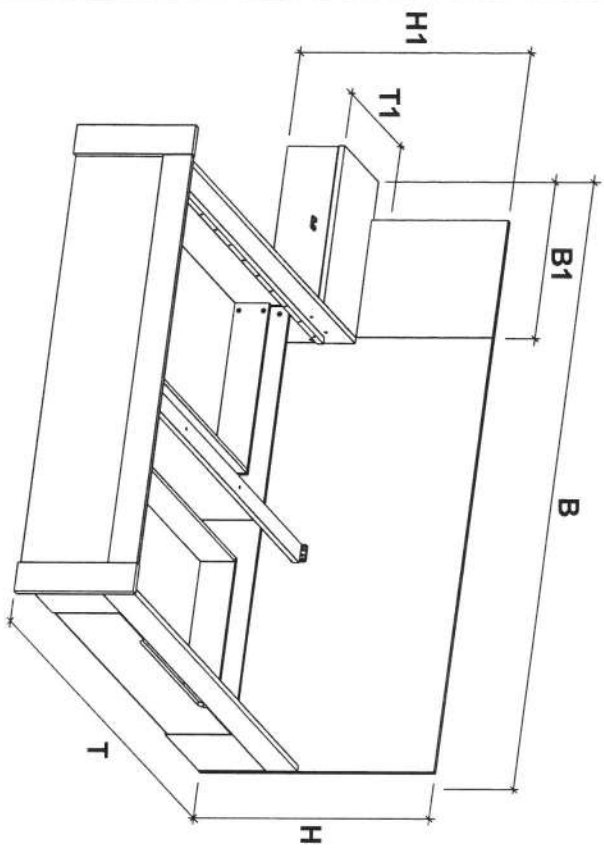


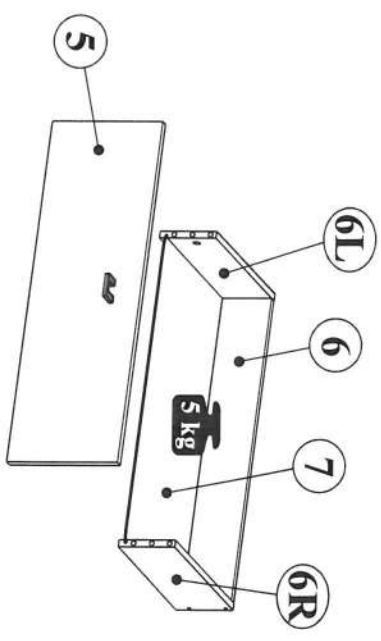
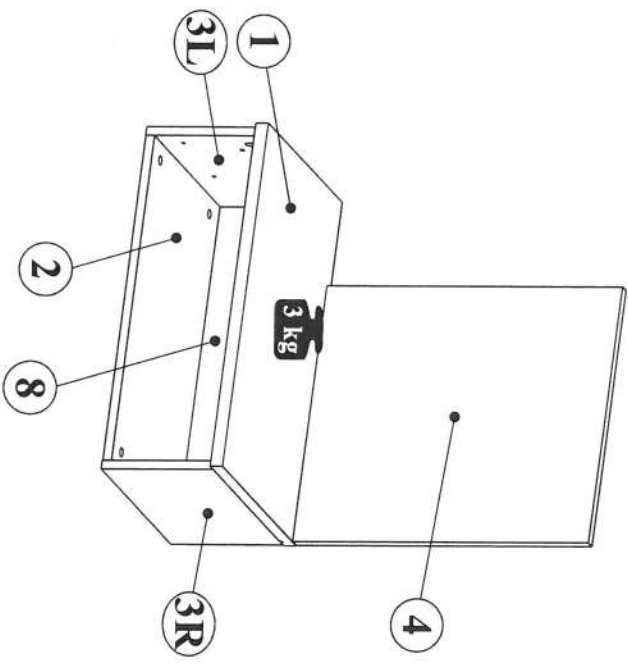
8X--AT 1L



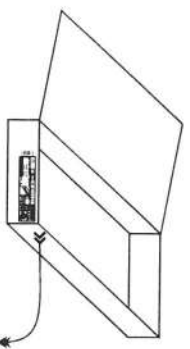
8X--AT 26



B - 2318mm
 H - 900mm
 T - 2066mm
 B1 - 600mm
 H1 - 738mm
 T1 - 380mm



1	600x380	1	1/1
2	568x361	1	1/1
3L,3R	198x362	2	1/1
4	447x518	1	1/1
5	596x194	1	1/1
6L,6R	302x100	2	1/1
6	528x100	1	1/1
7	539x300	1	1/1
8	577x191	1	1/1



NR 1	(B1) φ 8x28 x10	(M1) φ15x12mm x8	(T1) 5x39mm x8	(K7) 7x70 x3	(A19) M6x35 x2	(G11) x2	(J23) x6
-------------	------------------------------	-------------------------------	-----------------------------	---------------------------	-----------------------------	--------------------	--------------------

NR 2	(F59) 110x50x1,5 x2	(P11) 4x13 x16	(C18) 5mm x4
-------------	----------------------------------	-----------------------------	---------------------------

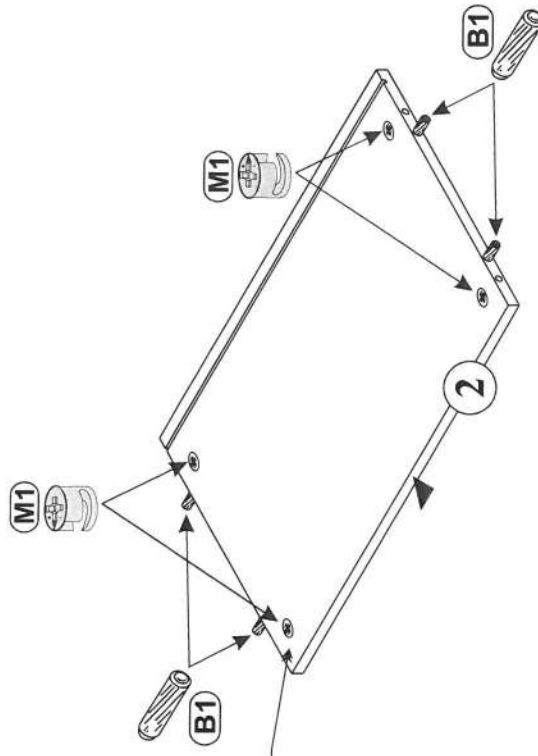
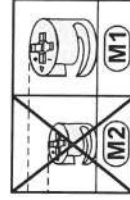
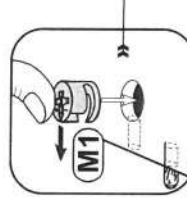
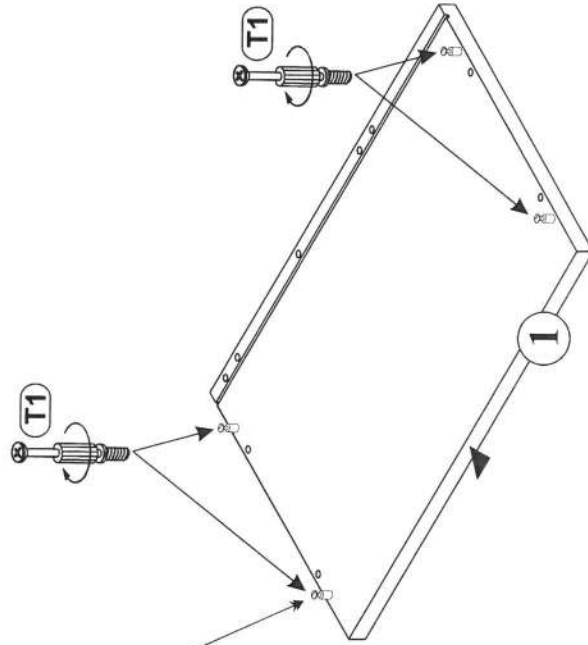
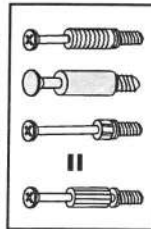
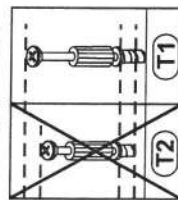
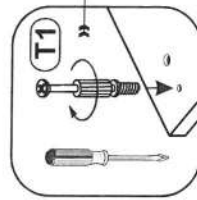
NR 3	(Q30B) L-300mm x1L/1R	(E2) 6,0x8 x4	(S3) 3,5x13 x4	(M2) φ12x10mm x2	(T2) 5x35mm x2	(P5) 4x30 x4
-------------	------------------------------------	----------------------------	-----------------------------	-------------------------------	-----------------------------	---------------------------

NR 4	(U173) x1	(A2) M4x25 x2
-------------	---------------------	----------------------------

C 1/1

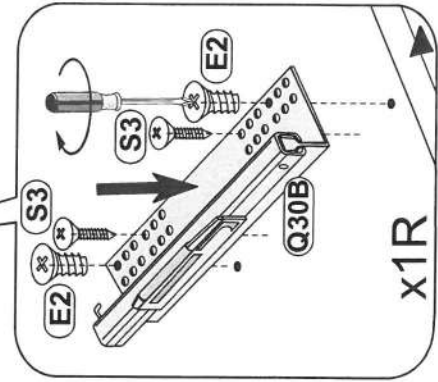
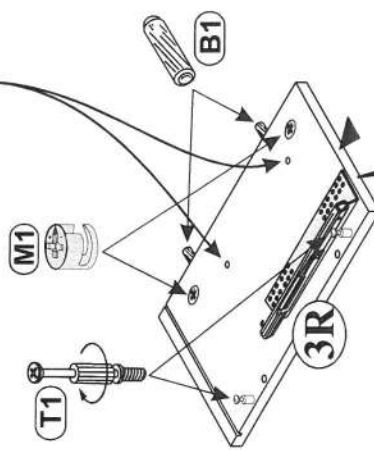
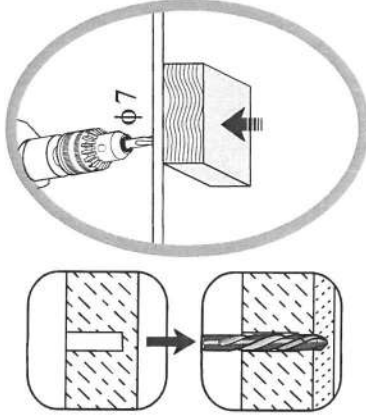
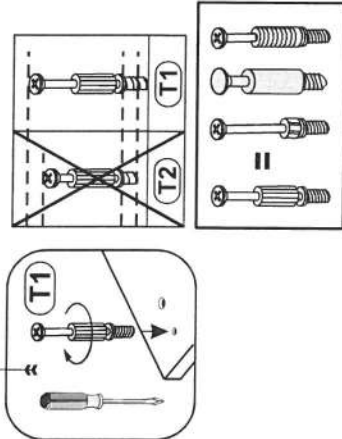
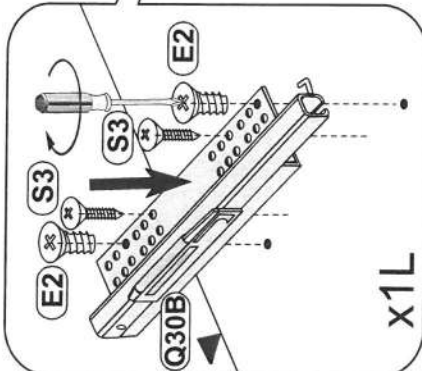
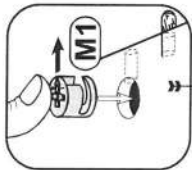
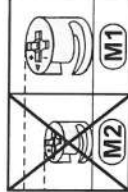
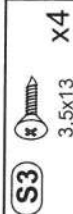
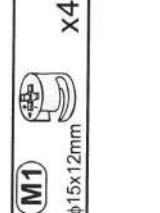
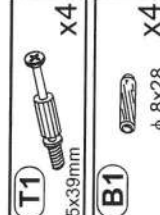
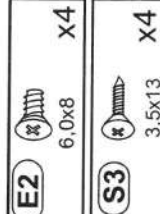
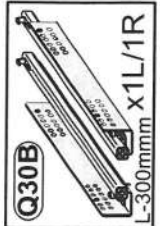


1



ATLANTA 8X--AT 1L

2

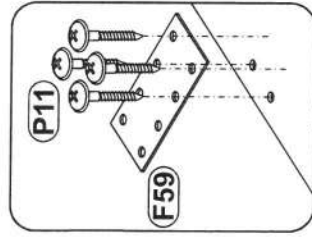
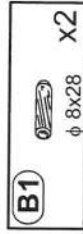
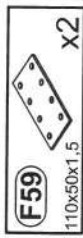


ATLANTA

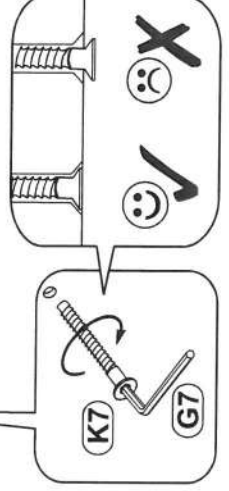
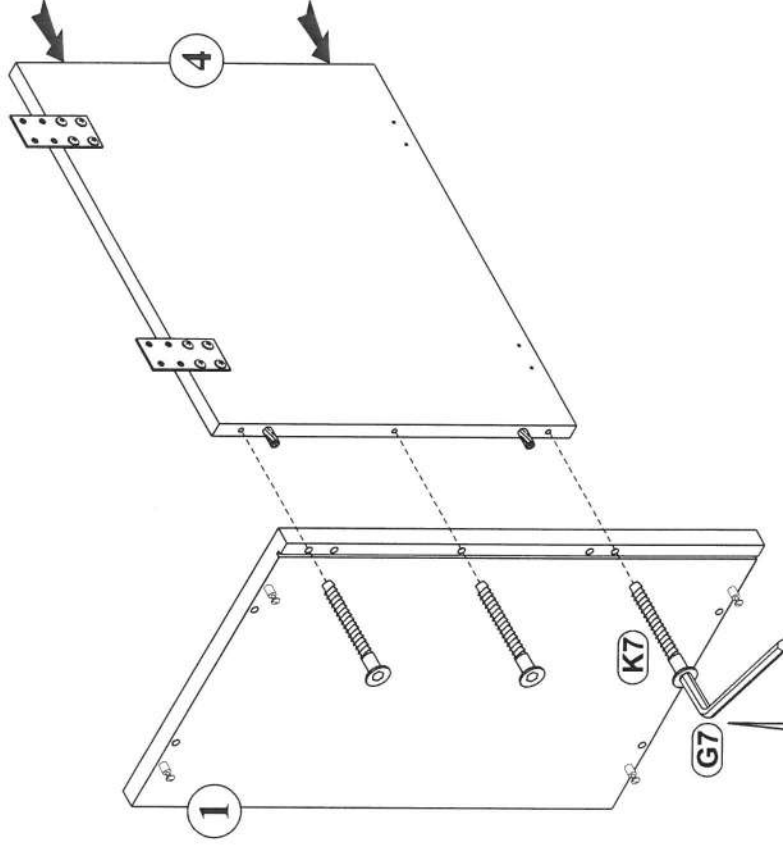
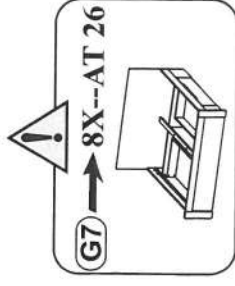
8X--AT 1L

6 / 12

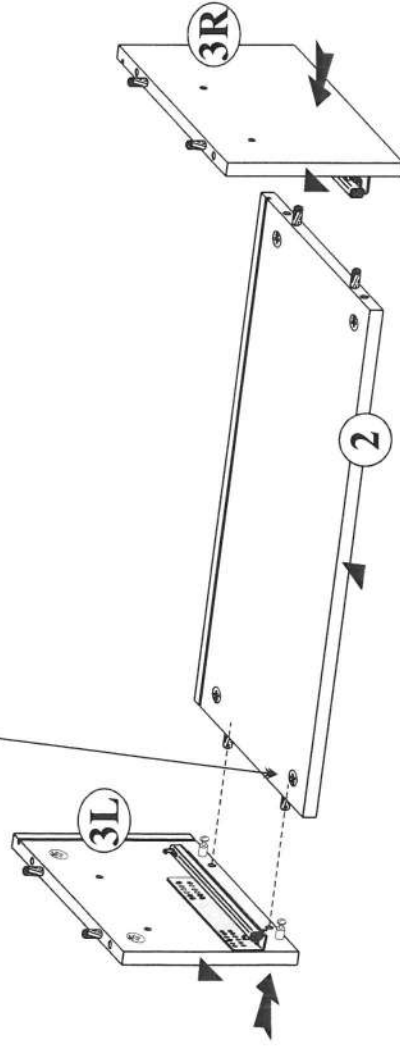
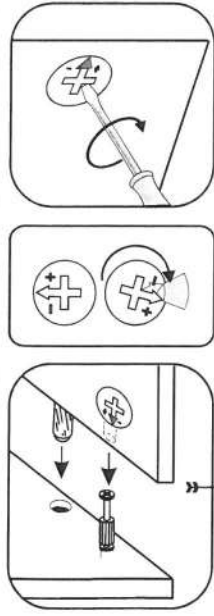
3



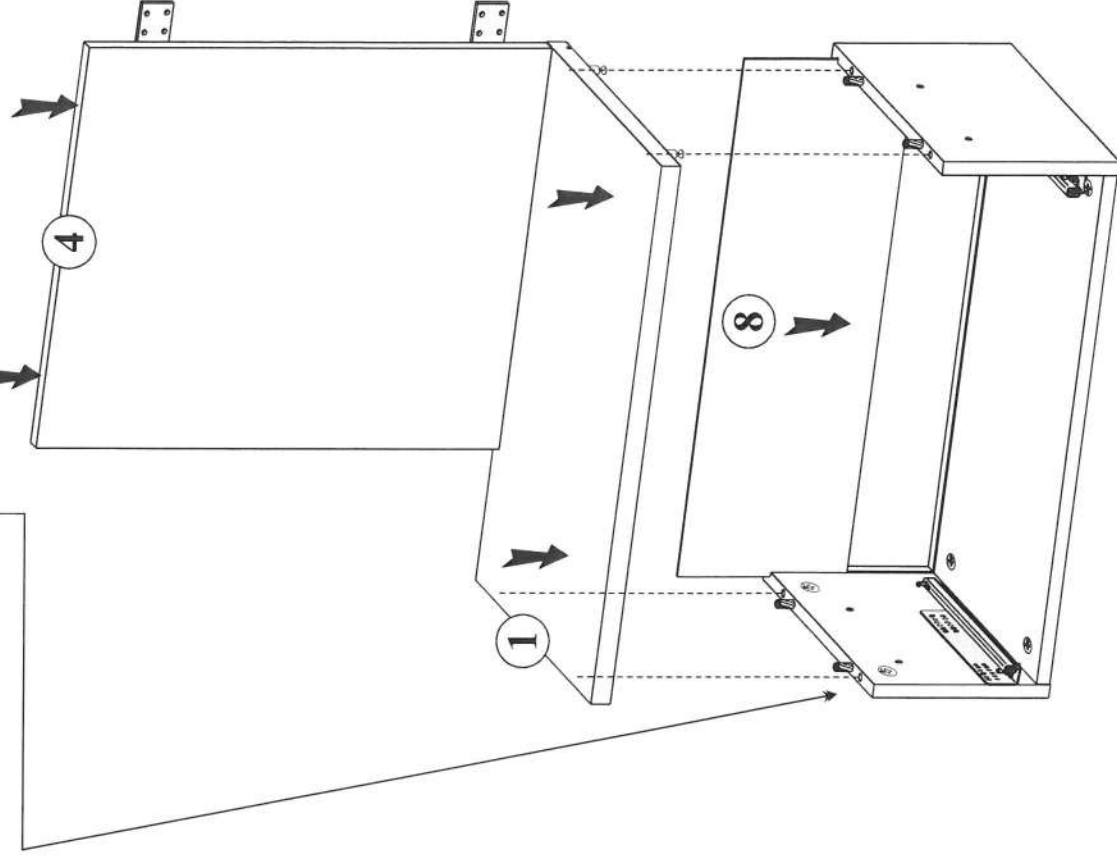
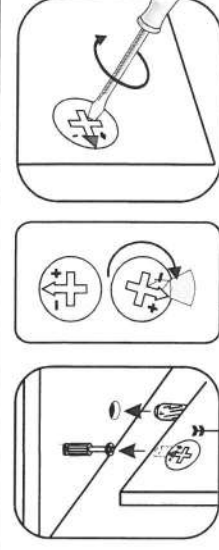
4



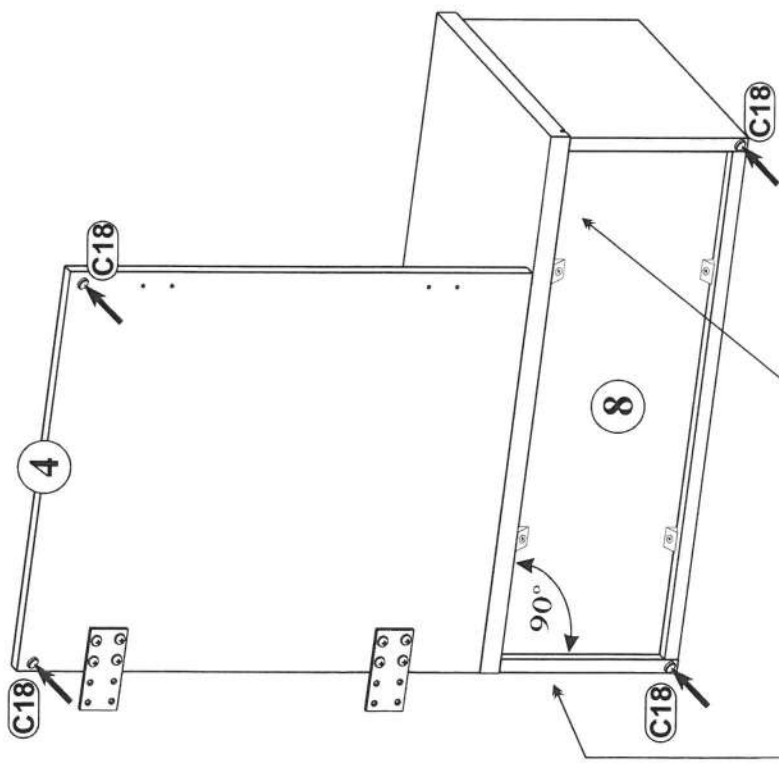
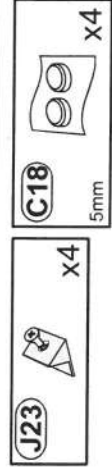
5



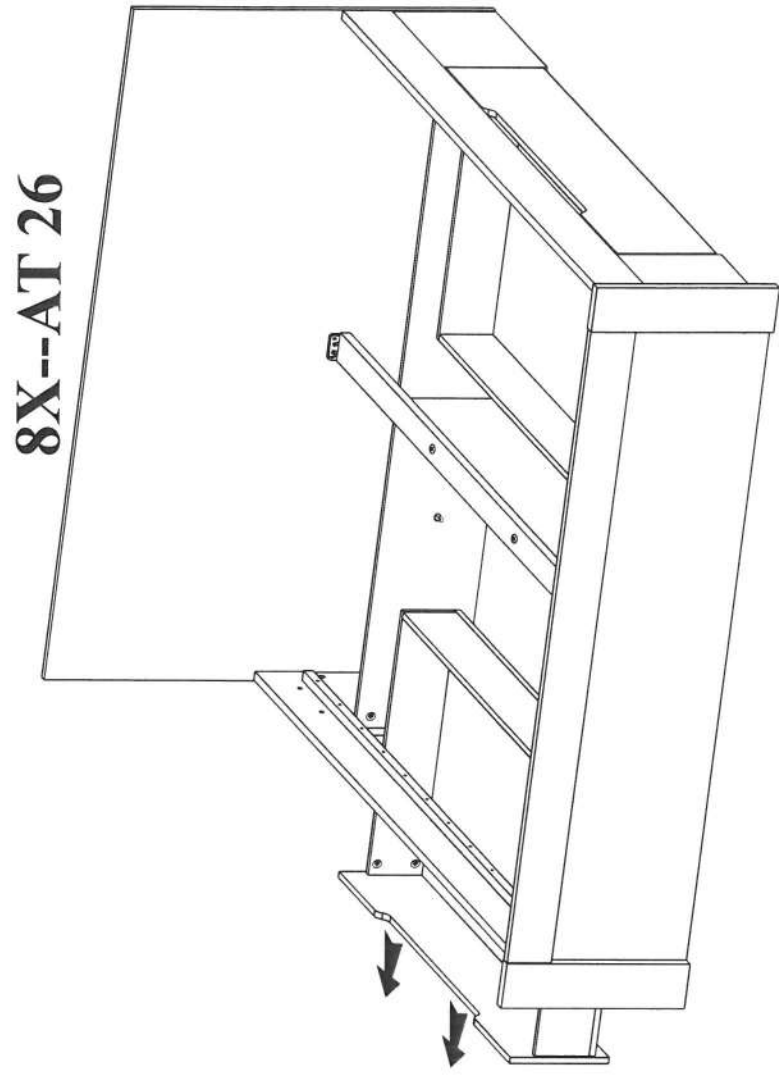
6



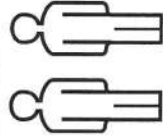
7



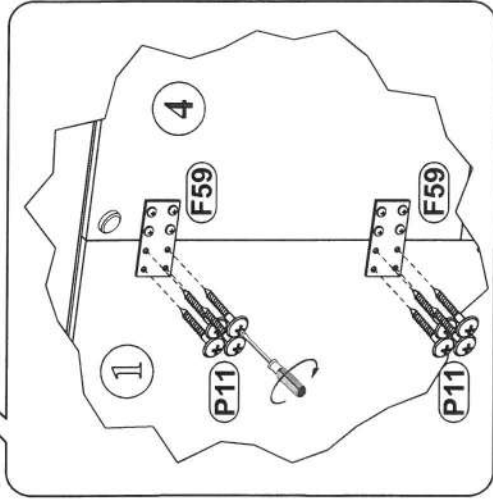
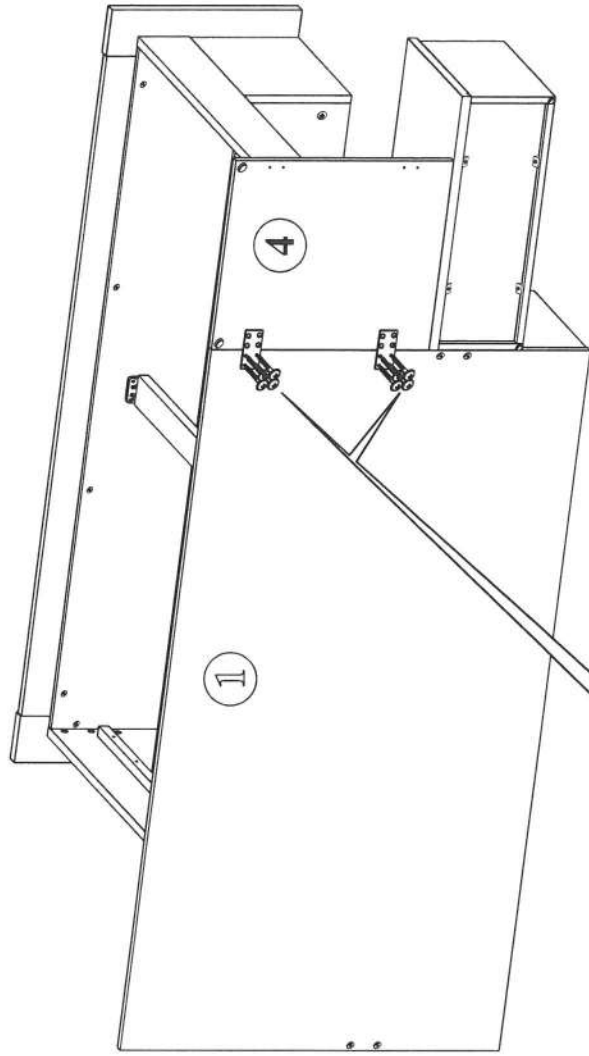
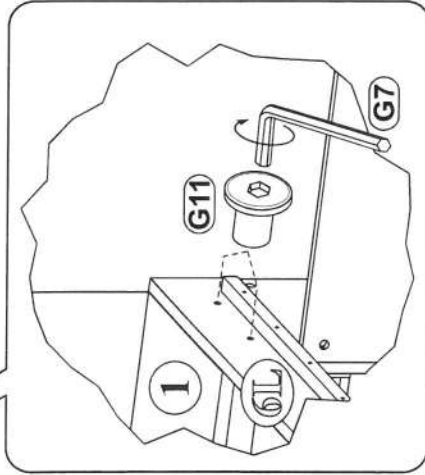
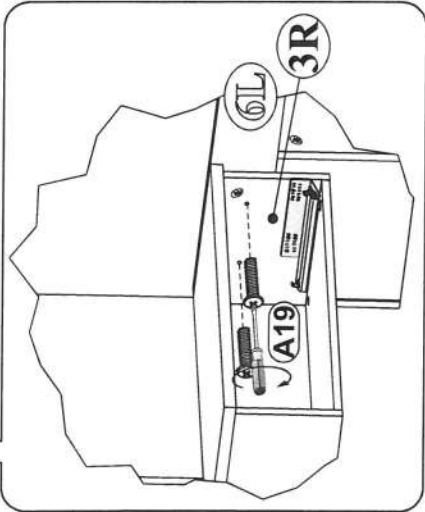
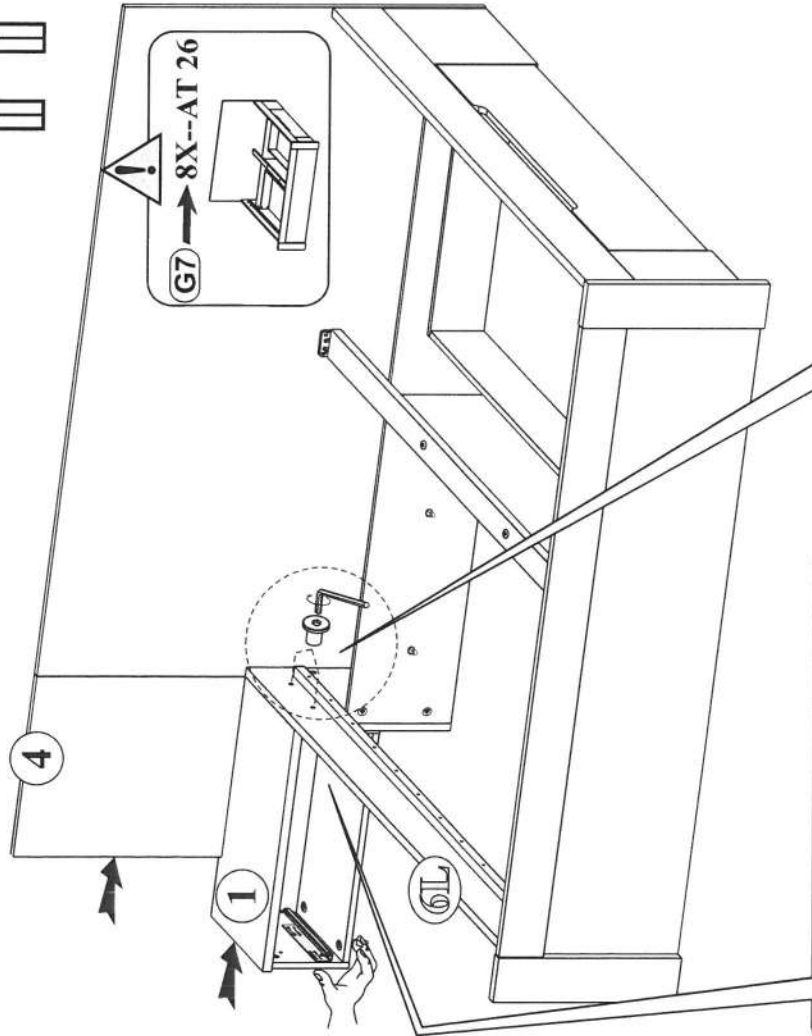
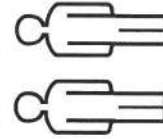
8



9

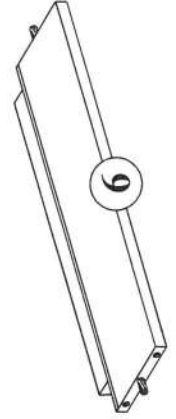
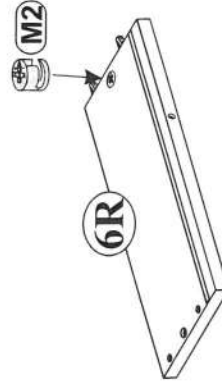
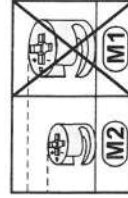
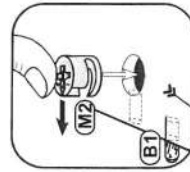
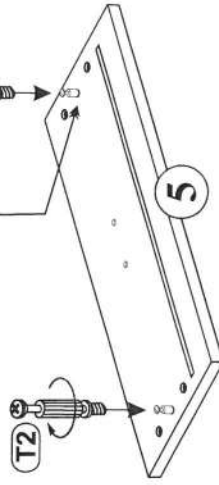
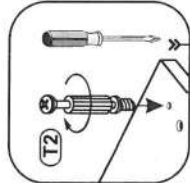
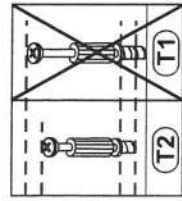


10



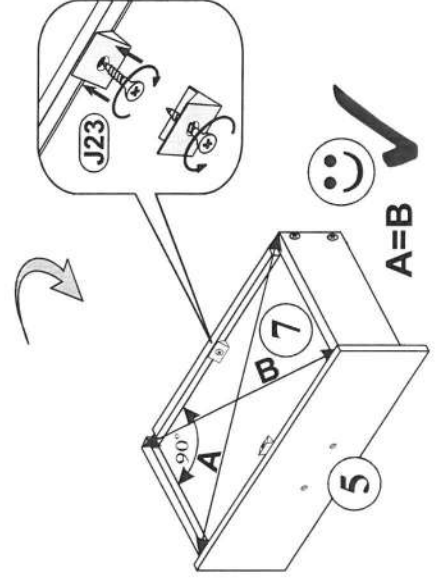
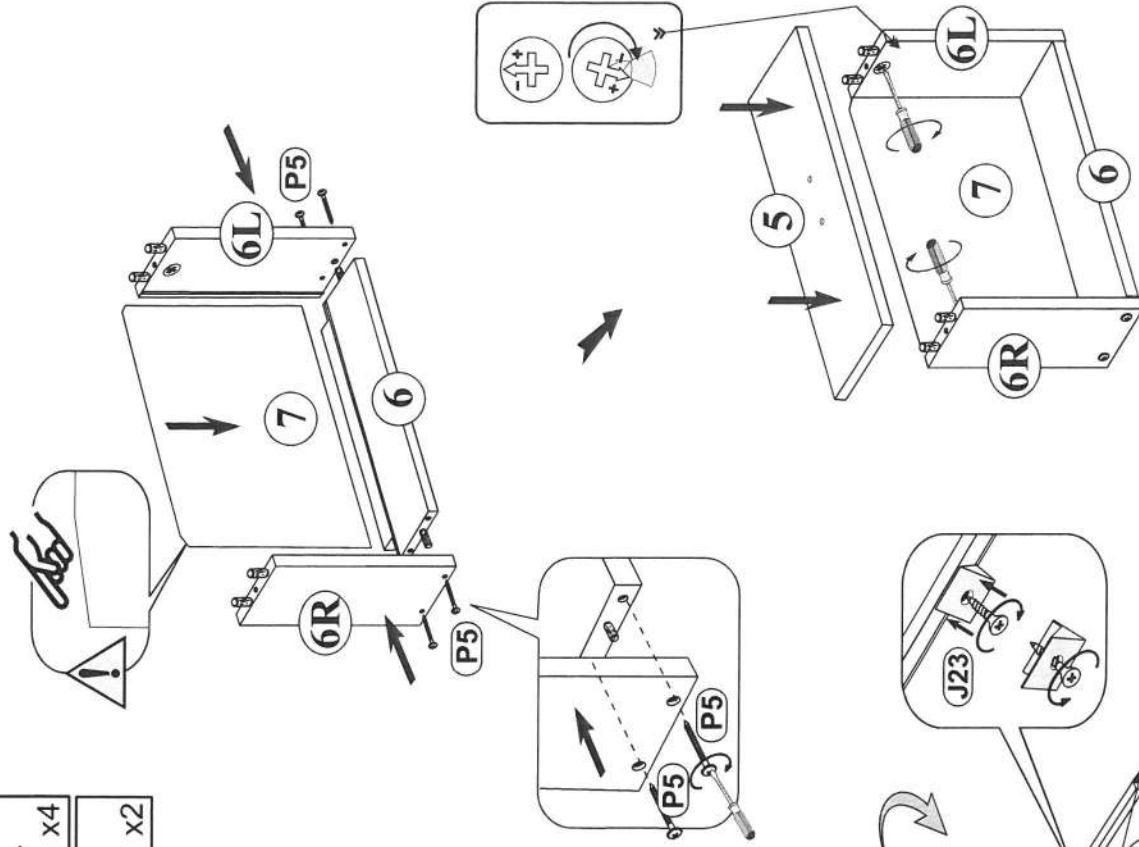
11

- M2** $\phi 12 \times 10 \text{mm}$ x2
- T2** 5x32mm x2






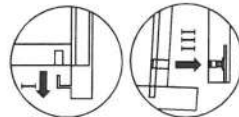
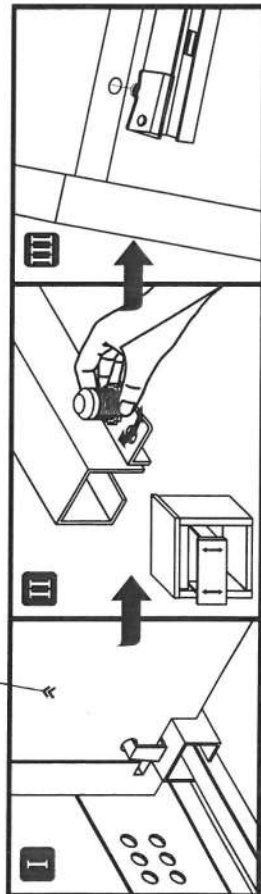
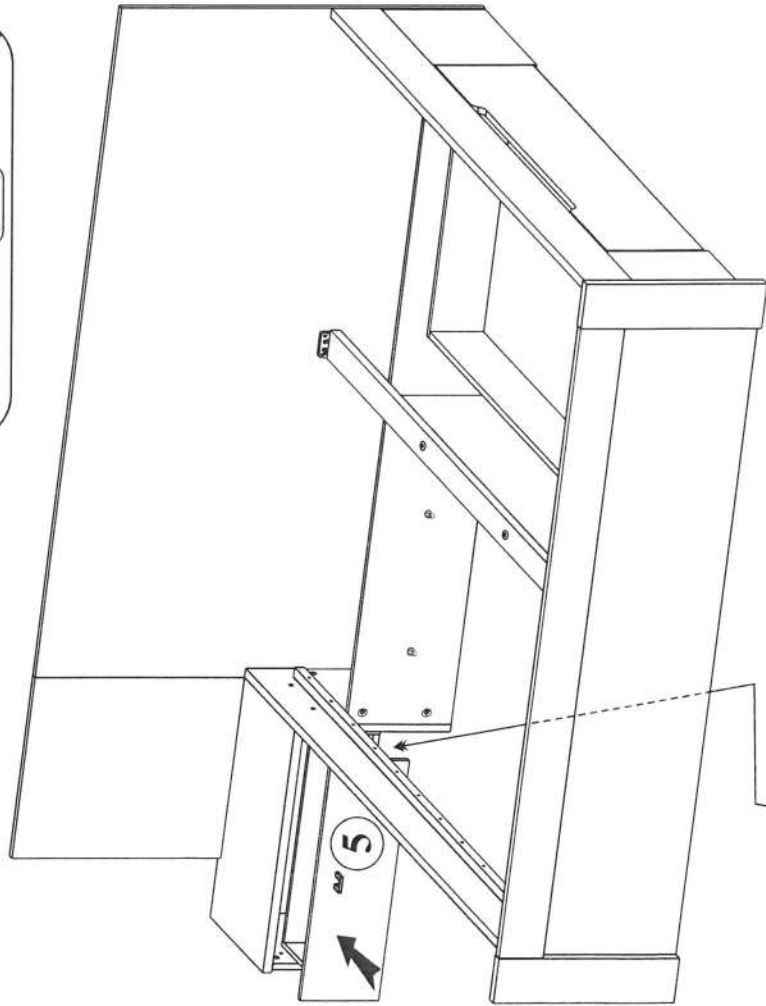
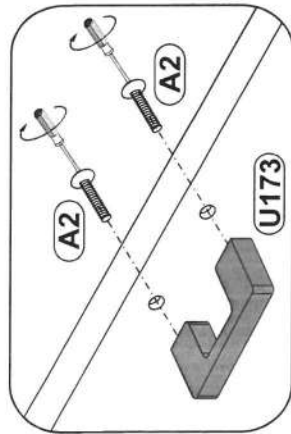
12

- P5** 4x30 x4
- J23** x2

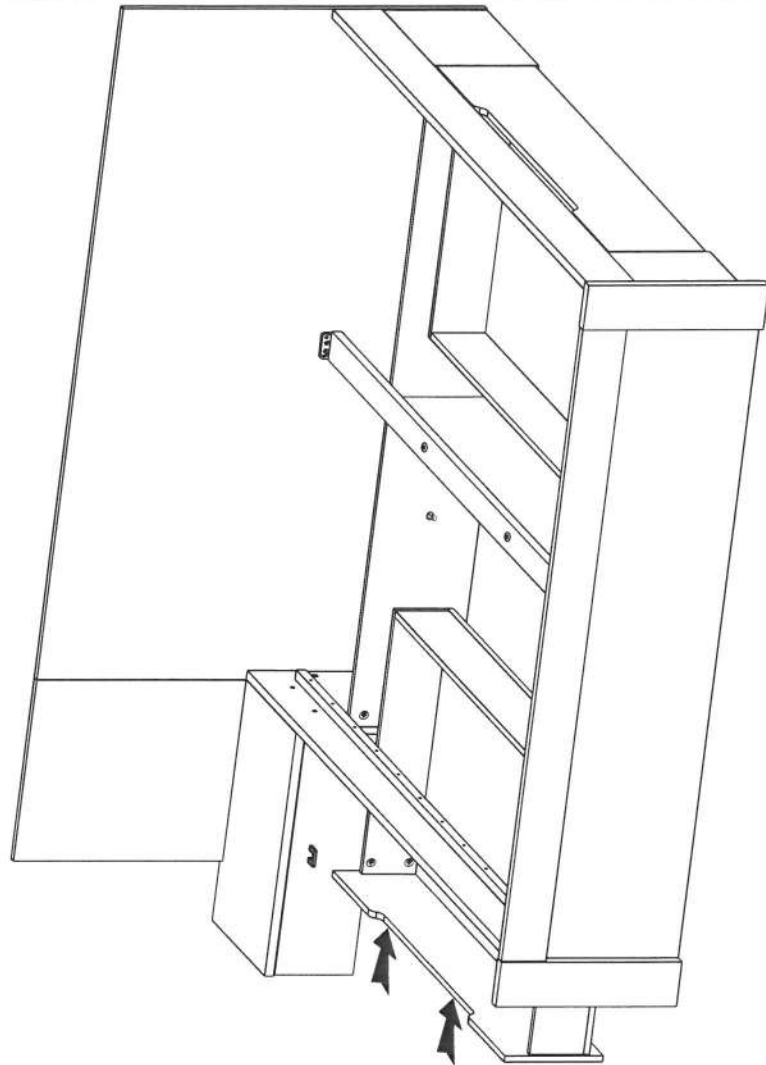


13

-  U173 x1
-  A2 x2
-  M4x25 x2



14



15

