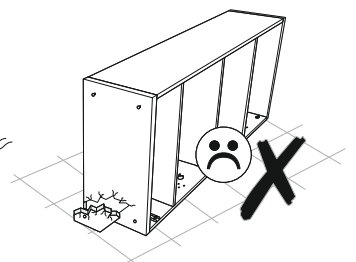
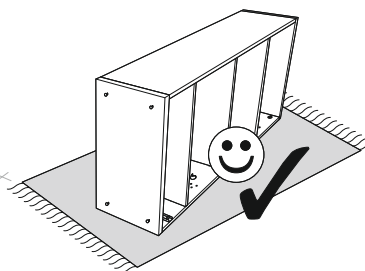
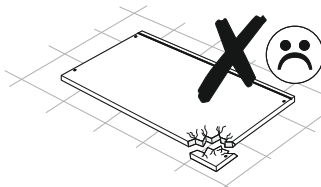
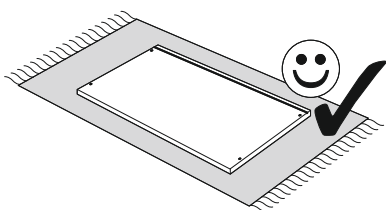
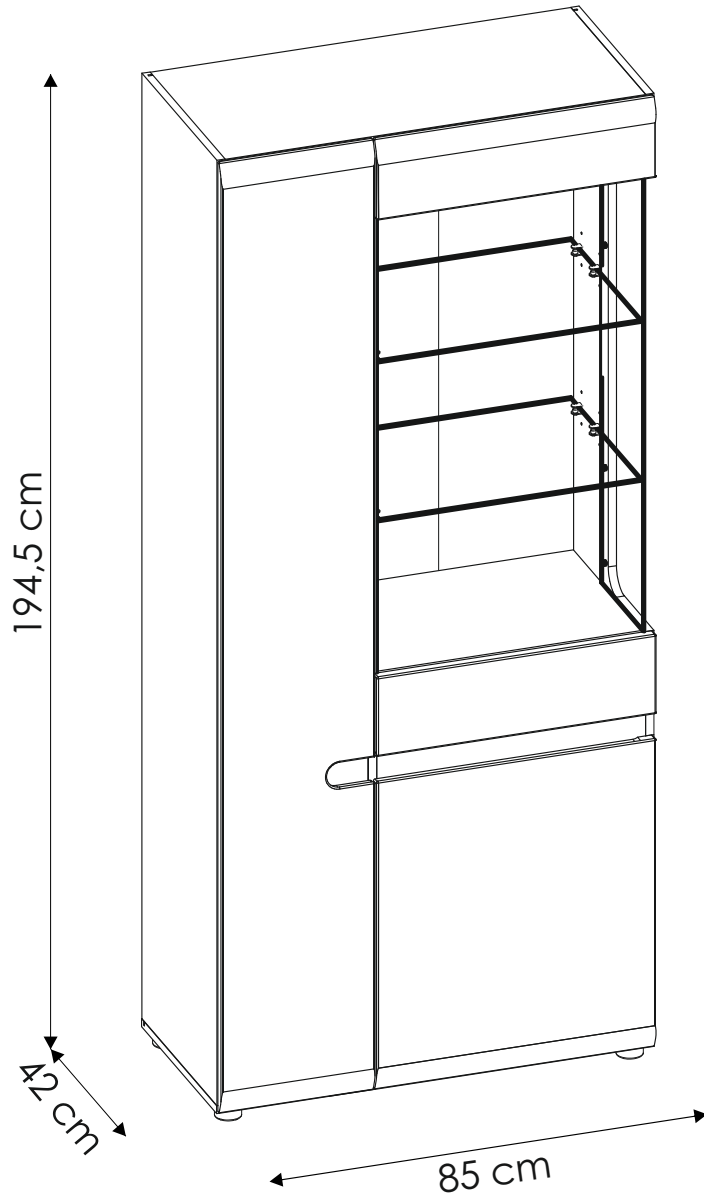
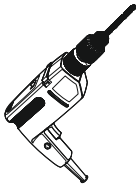
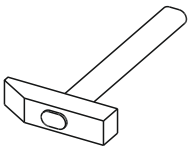
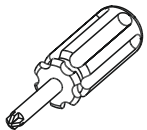
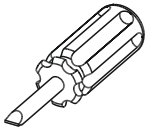
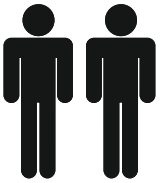
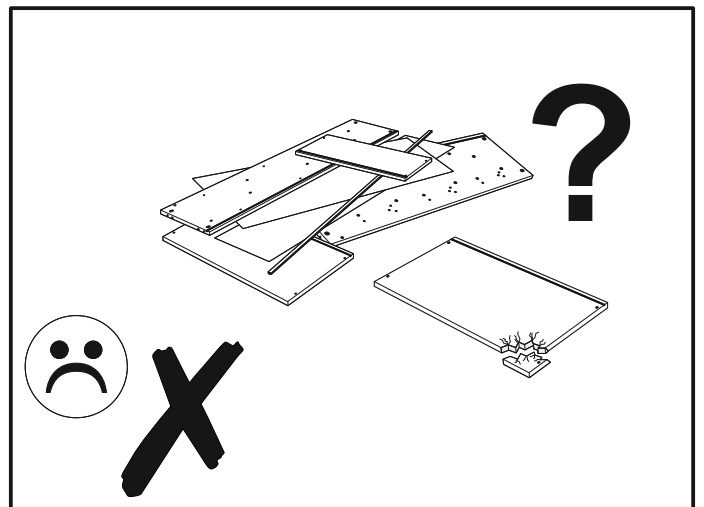
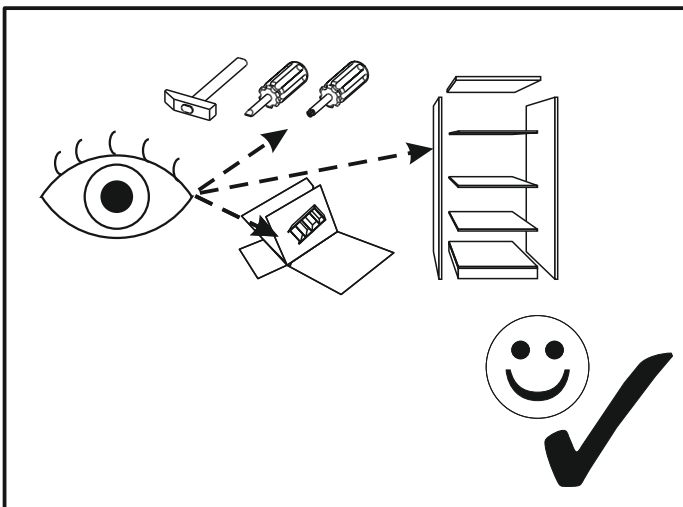
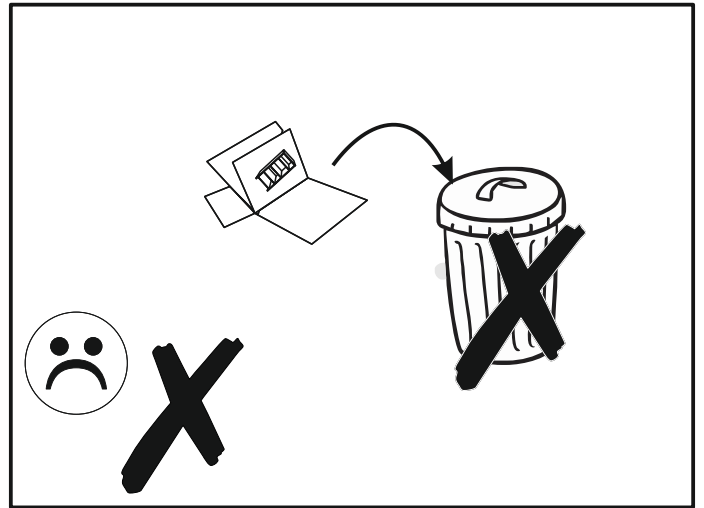
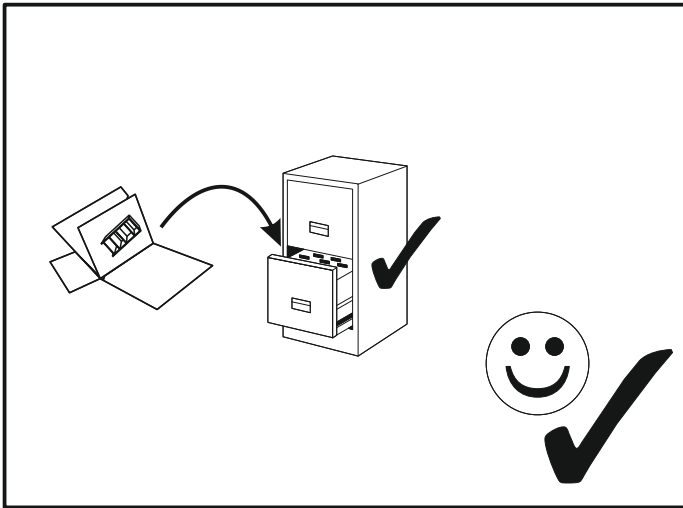
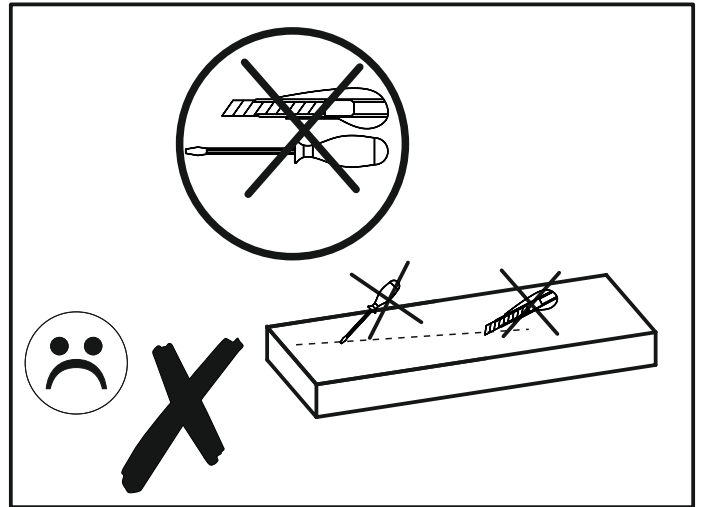
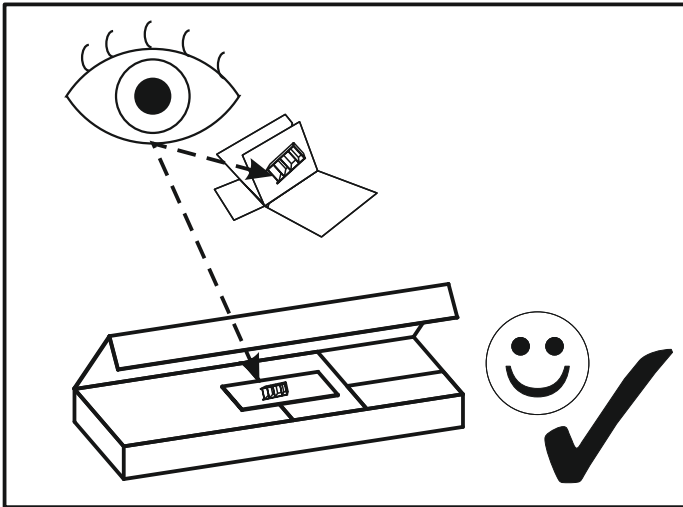
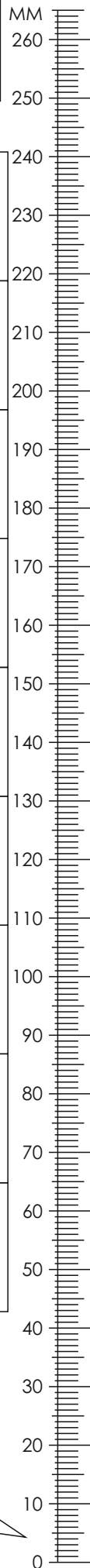


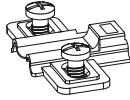
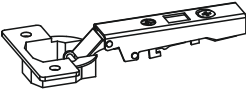


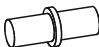
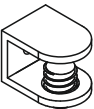




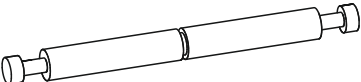






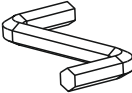






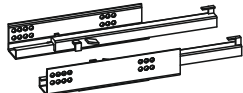


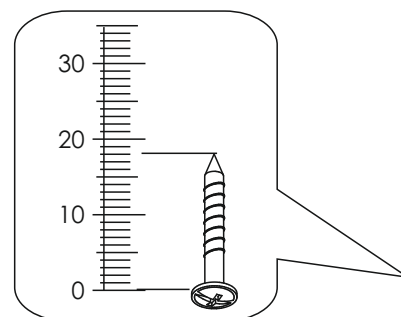
LYNATE TYP 01 P

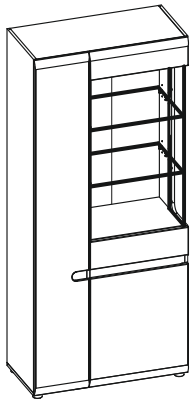




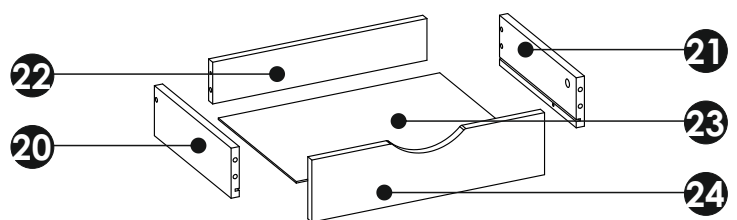
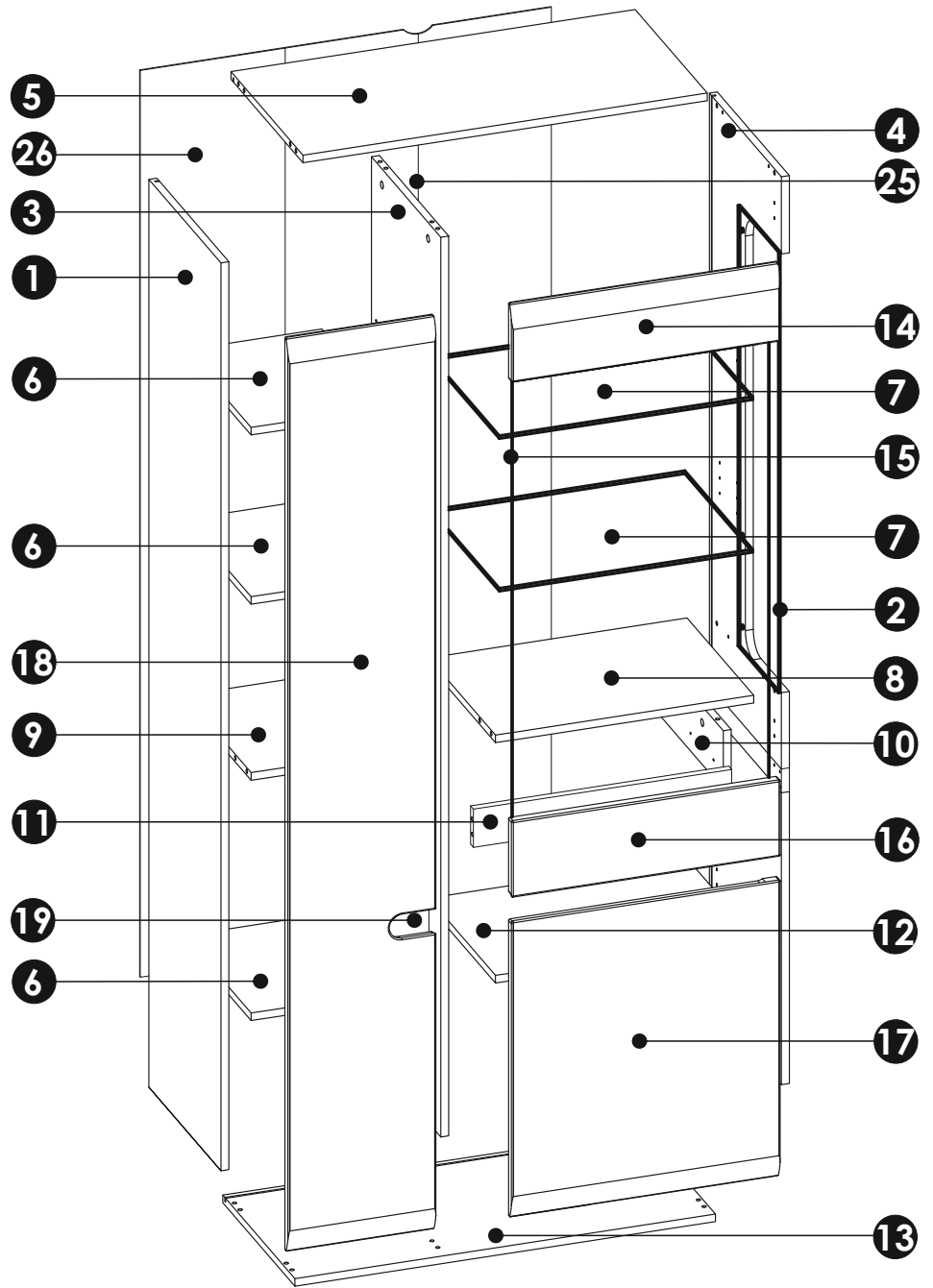


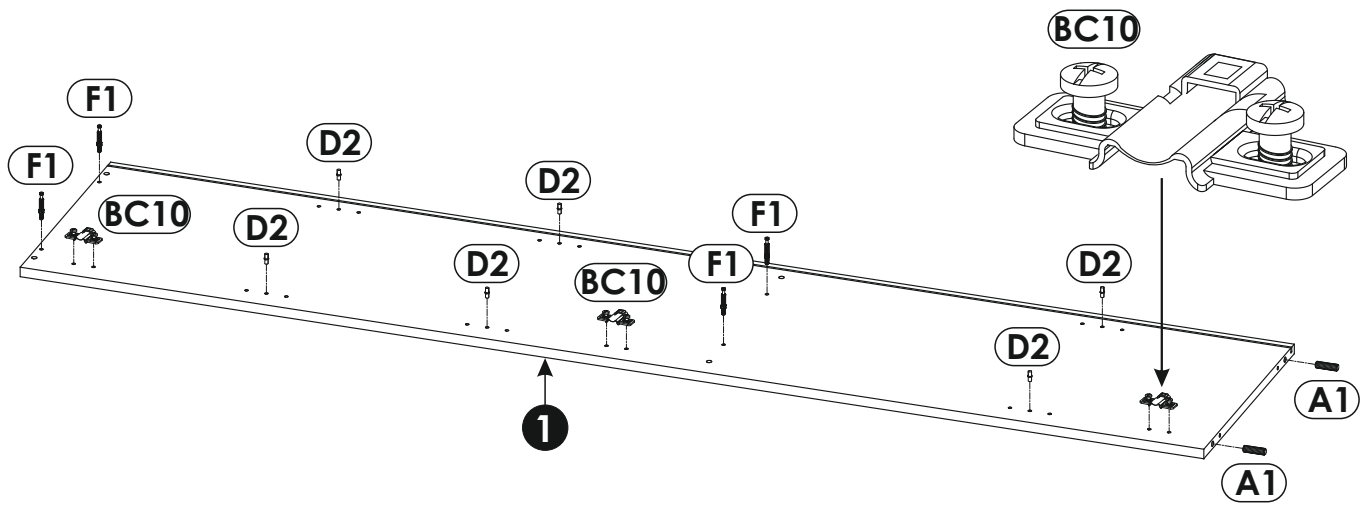
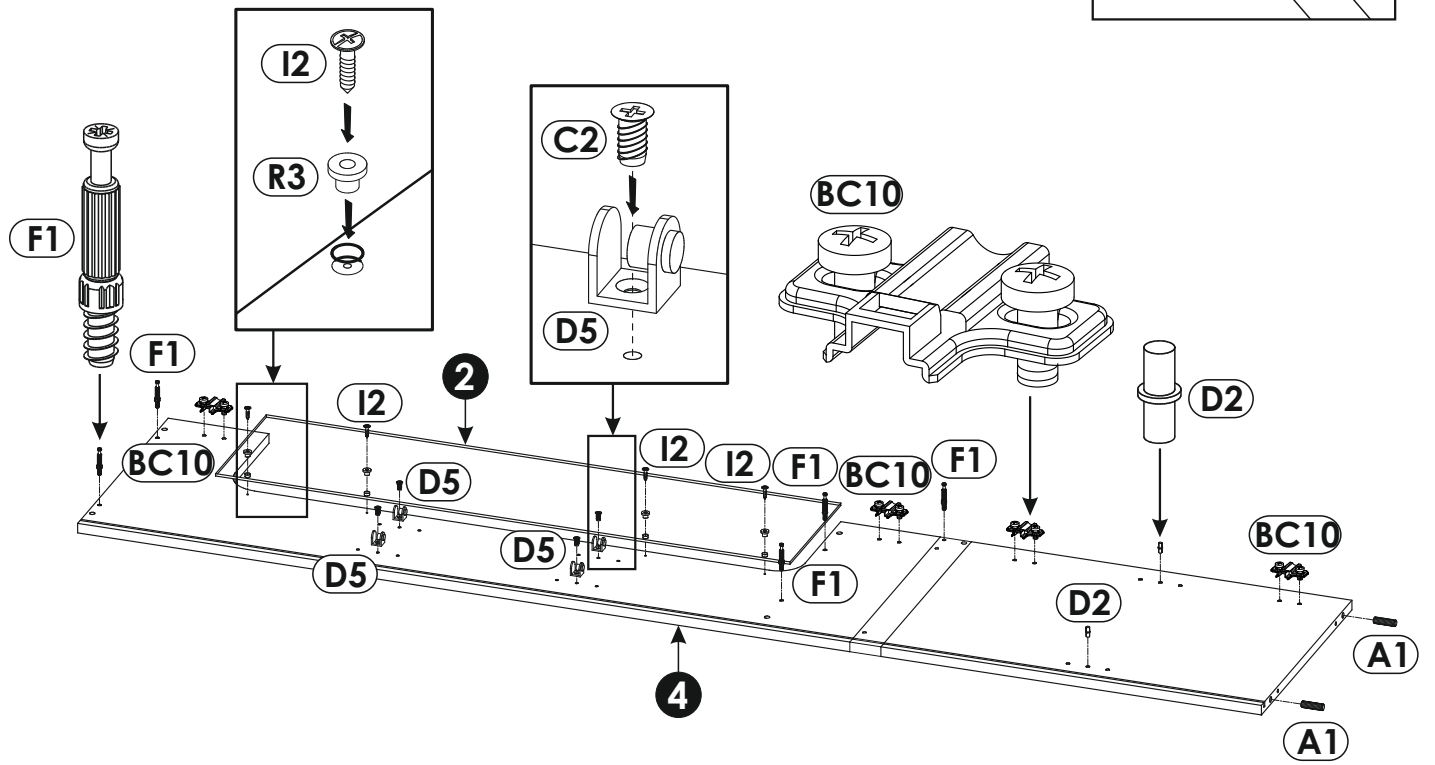
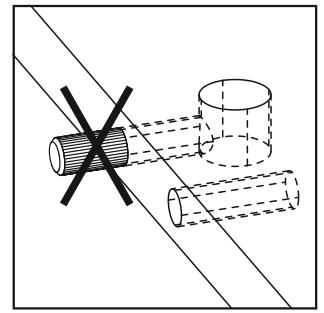
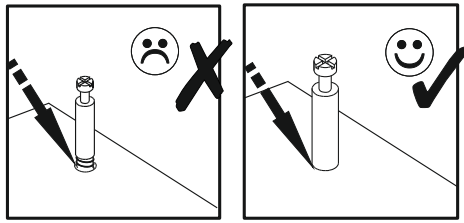
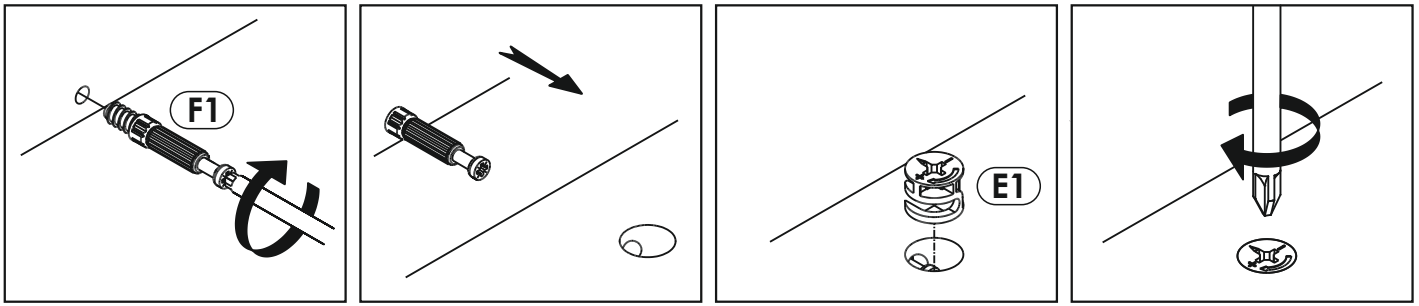
<p>A1 x24 $\phi 8 \times 35$ mm</p> 	<p>A3 x2 $\phi 8 \times 60$ mm</p> 	<p>BC10 x7</p> 
<p>BC11 x7</p> 	<p>C1 x14 4 x 13 mm</p> 	<p>C2 x12 5 x 13 mm</p> 
<p>D2 x16</p> 	<p>D5 x8</p> 	<p>E0a x4</p> 
<p>E0b x16</p> 	<p>E1 x20</p> 	<p>F1 x16</p> 
<p>F4 x2 $\phi 7 \times 76$ mm</p> 	<p>G0a x6</p> 	<p>G0b x2</p> 
<p>G1 x8 $\phi 7 \times 50$ mm</p> 	<p>I2 x11 4 x 16 mm</p> 	<p>I10 x5 3,5 x 22 mm</p> 
<p>J6 x4 4 x 30 mm</p> 	<p>M x1</p> 	<p>N1 x20 3 x 16 mm</p> 
<p>O15 x5 $\phi 50 \times 25$ mm</p> 	<p>Q9 x1</p> 	<p>R1 x12</p> 
<p>R3 x10</p> 	<p>R4 x12</p> 	<p>T10 x1</p> 



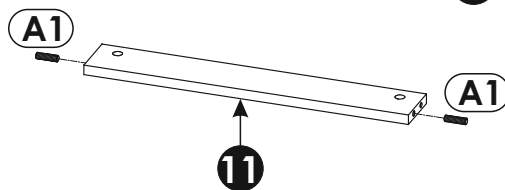
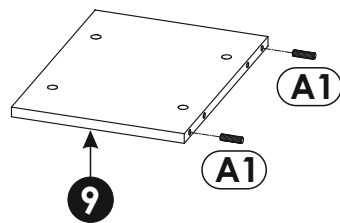
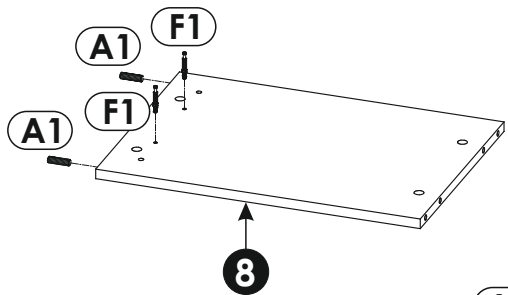
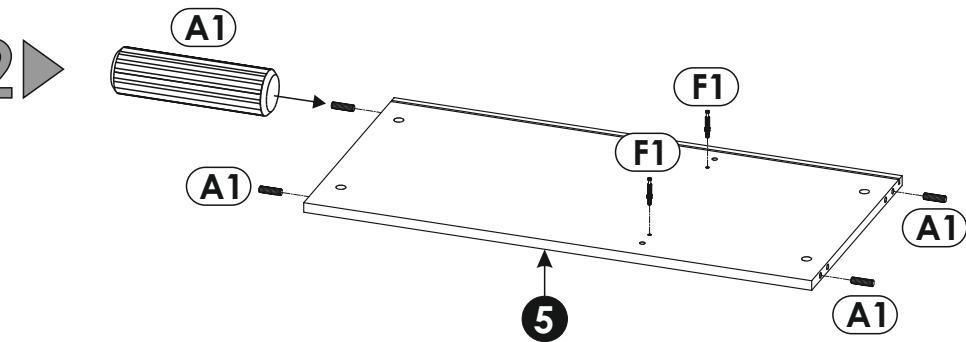


1	1904	400	16	x1	3/3
2	924	224	4	x1	1/3
3	1887	385	16	x1	3/3
4	1904	400	16	x1	3/3
5	817	400	16	x1	1/3
6	278	370	16	x3	2/3
7	512	376	6	x2	2/3
8	522	370	16	x1	2/3
9	278	370	16	x1	2/3
10	122	367	16	x1	1/3
11	522	80	16	x1	1/3
12	522	370	16	x1	2/3
13	850	400	16	x1	1/3
14	543	160	19	x1	1/3
15	990	519	4	x1	1/3
16	543	160	19	x1	1/3
17	543	626	19	x1	1/3
18	299	1916	19	x1	3/3
19	96	80	16	x1	1/3
20	300	96	16	x1	1/3
21	300	96	16	x1	1/3
22	419	80	16	x1	1/3
23	433	305	3	x1	2/3
24	455	119	16	x1	1/3
25	1901	538	3	x1	3/3
26	1901	293	3	x1	3/3

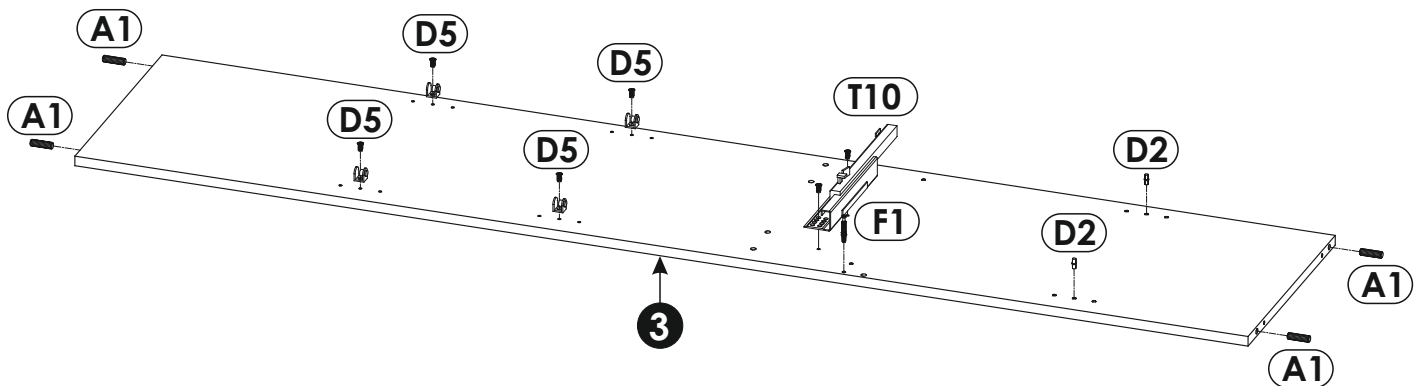
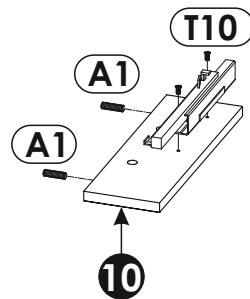
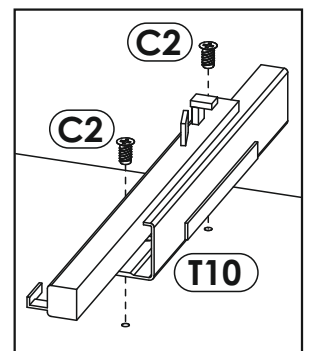
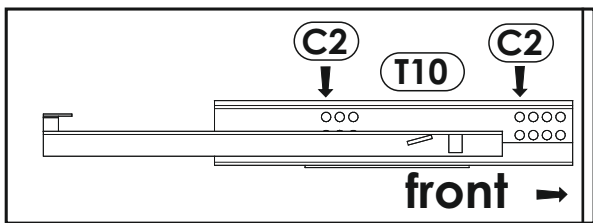




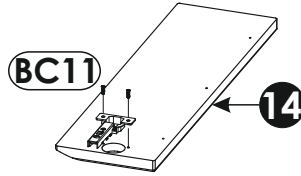
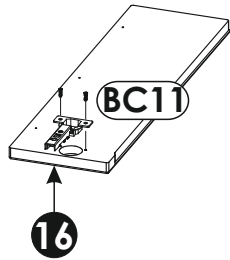
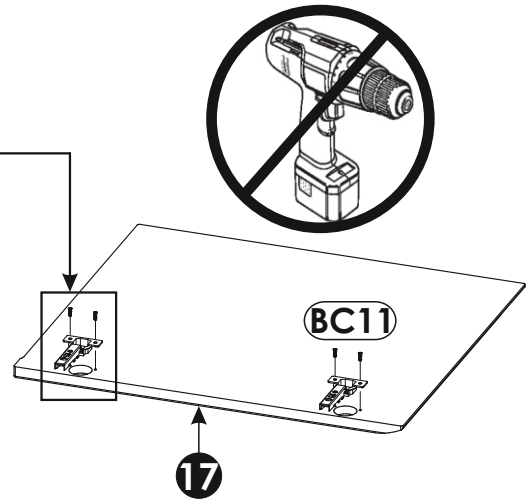
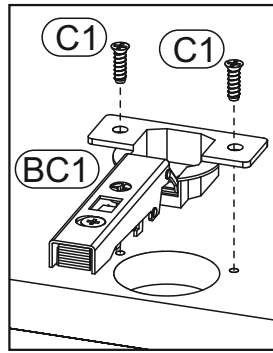
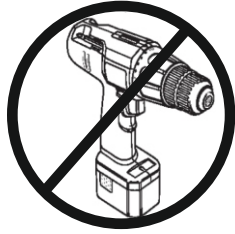
2 ▶



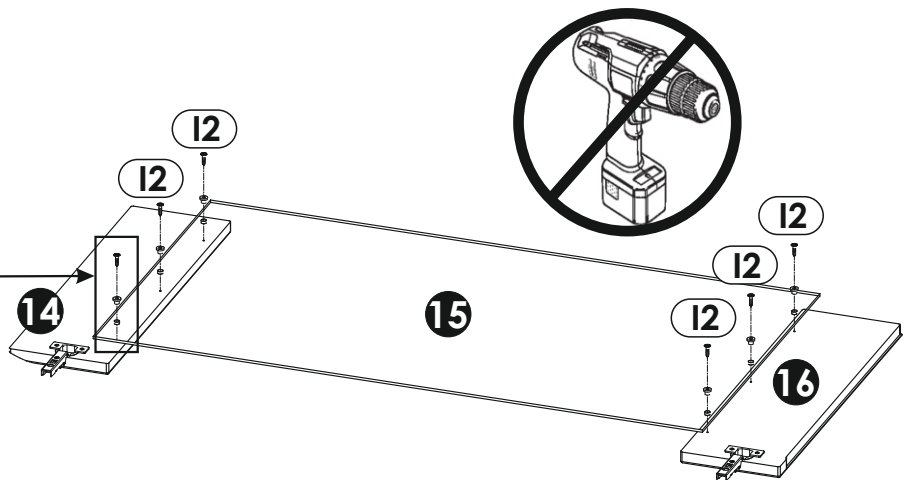
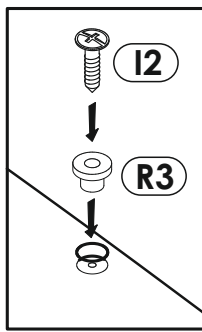
3 ▶



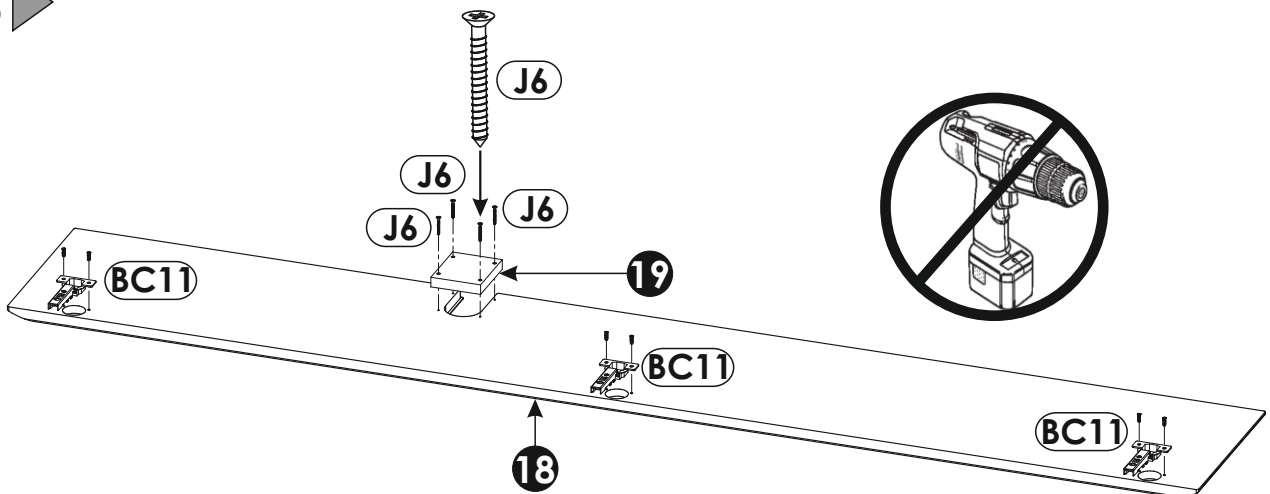
4 ▶



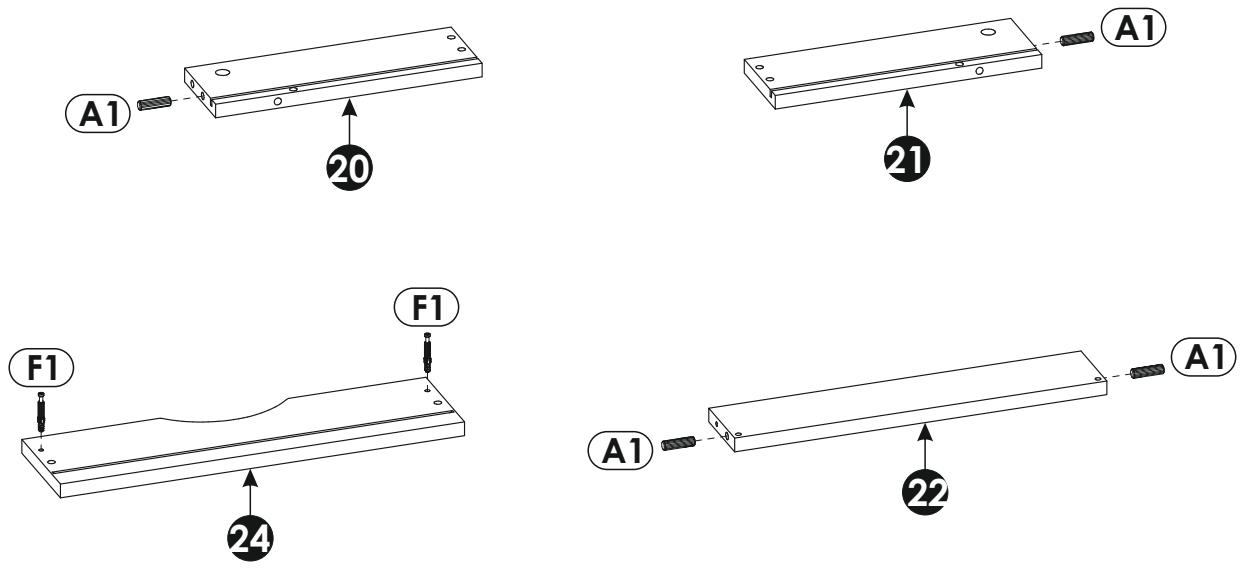
5 ▶



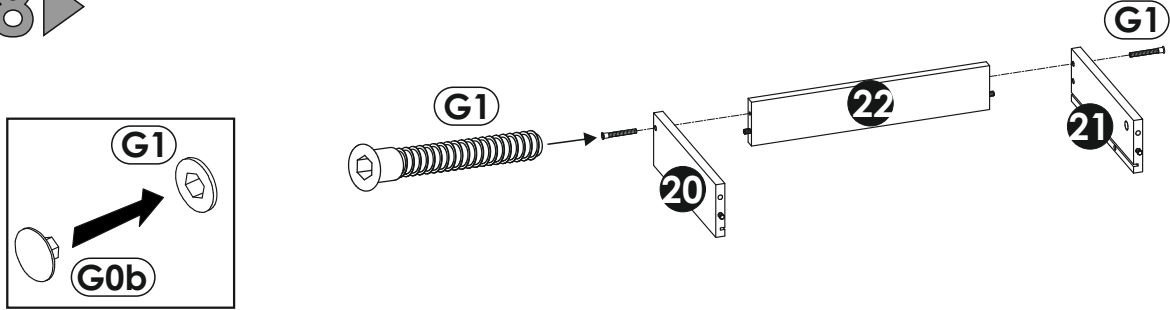
6 ▶



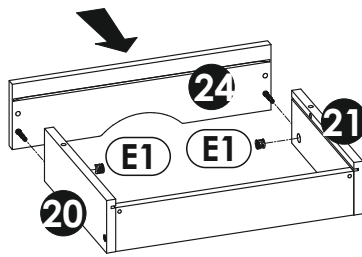
7 ▶



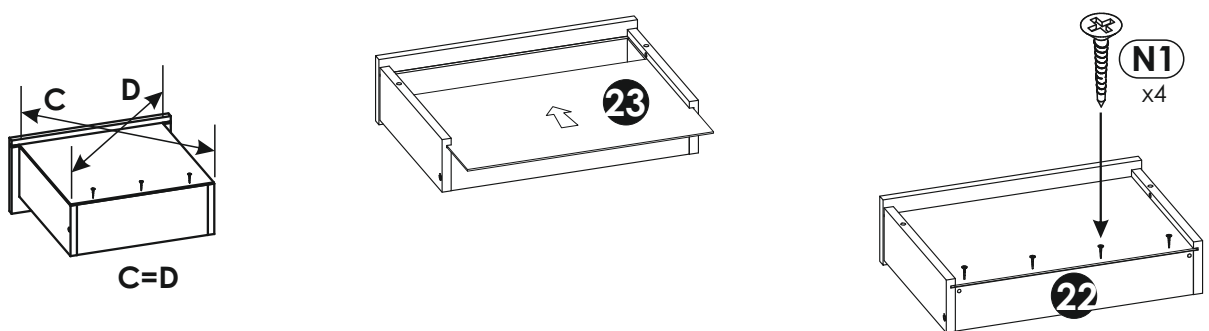
8 ▶



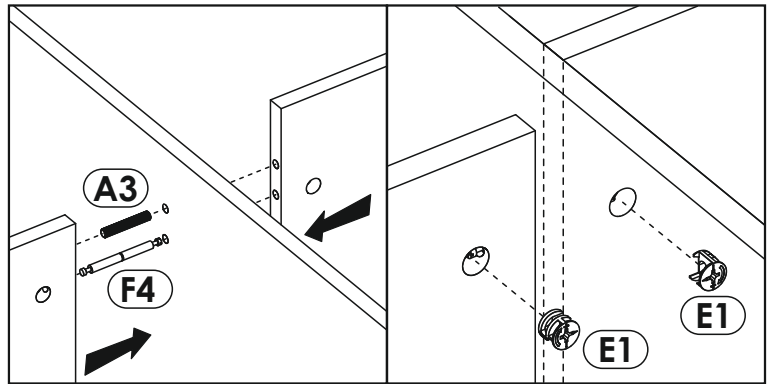
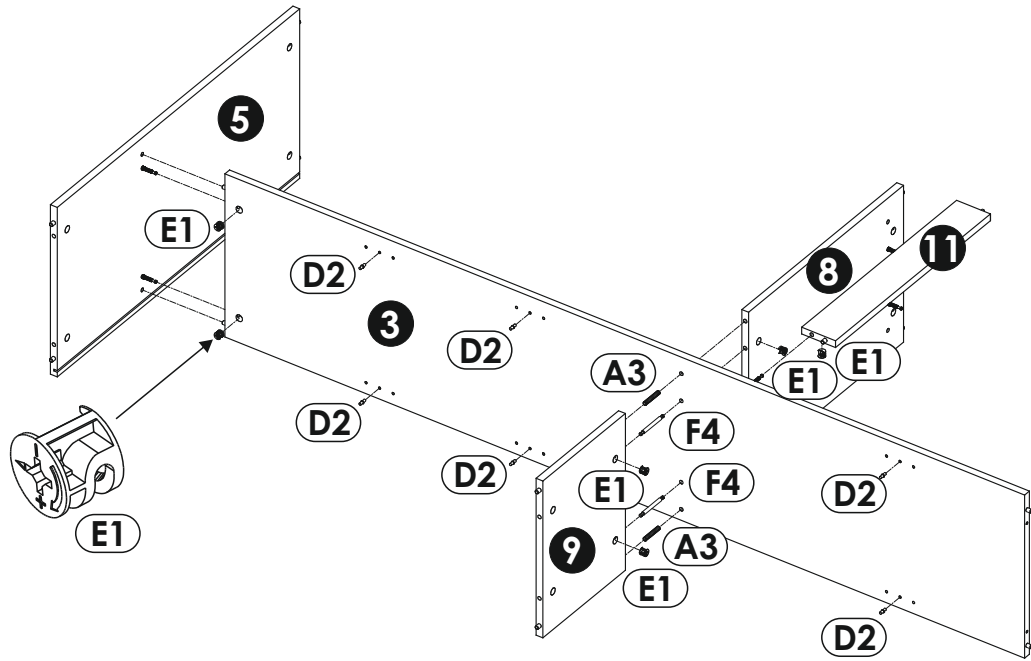
9 ▶



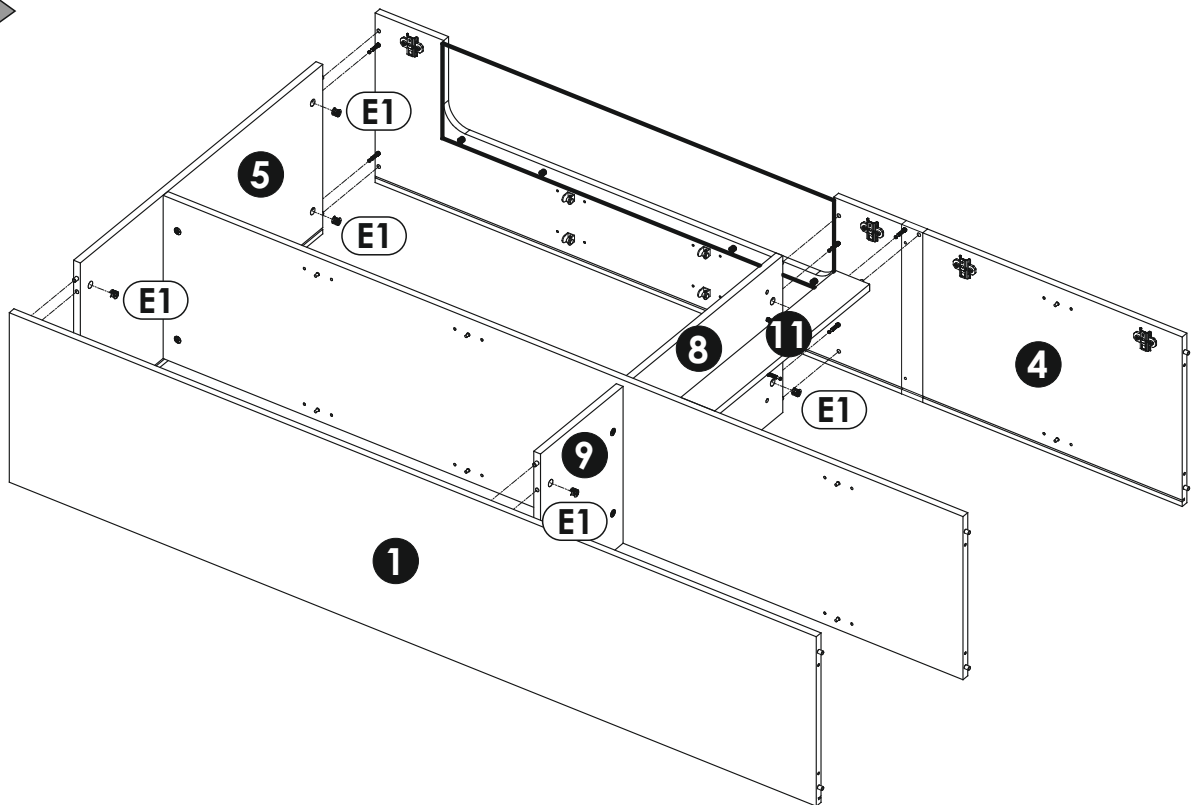
10 ▶



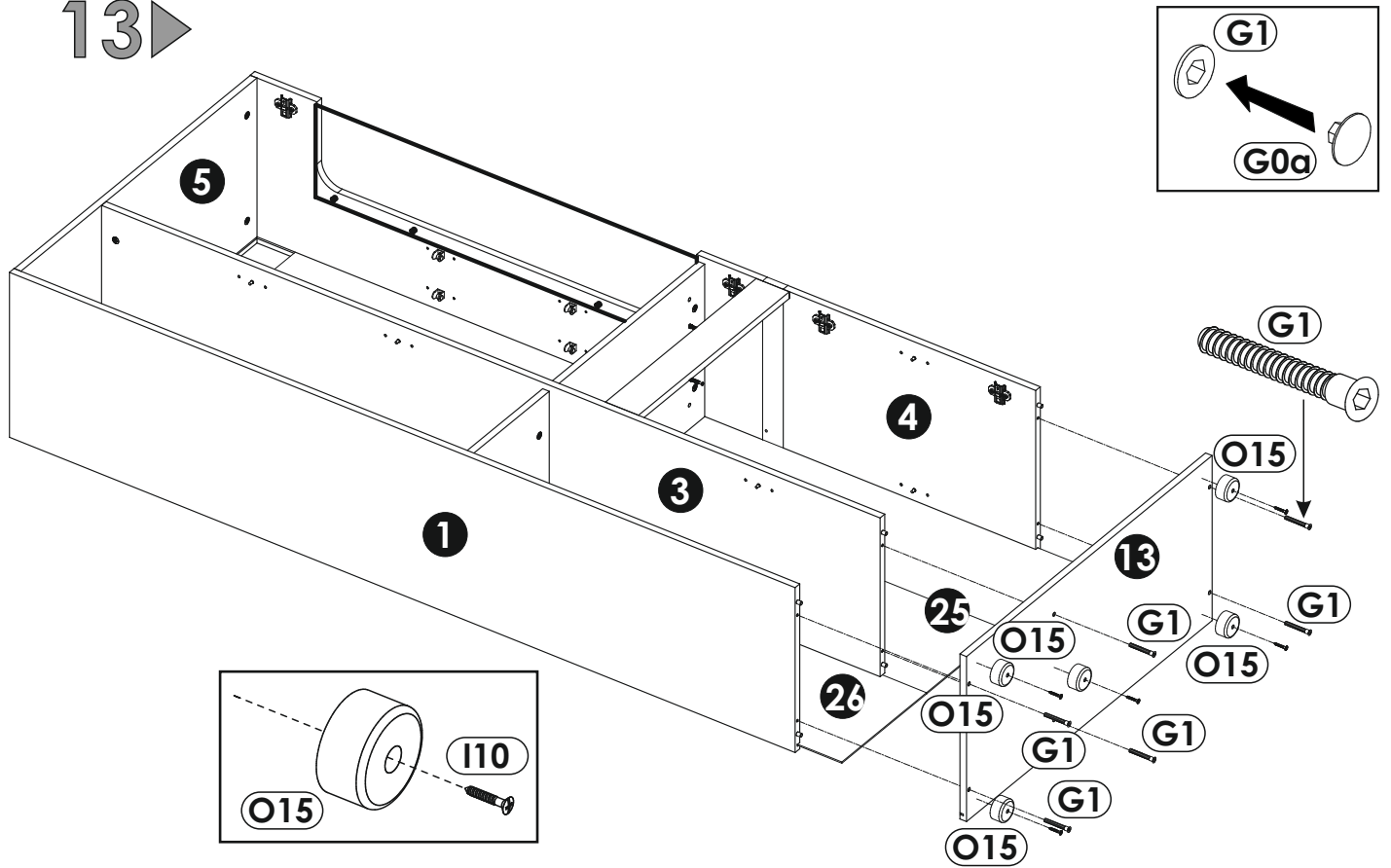
11▶



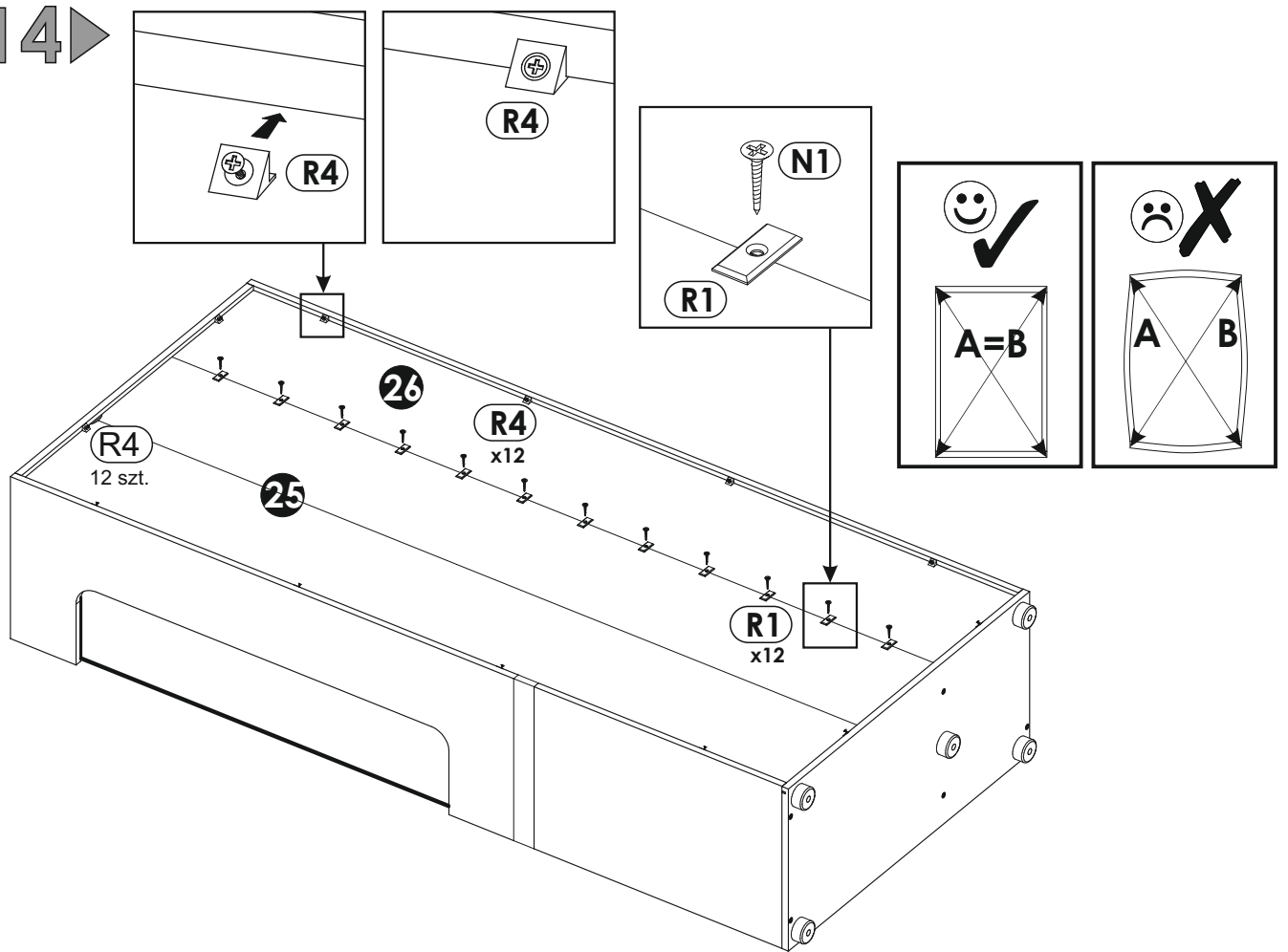
12▶



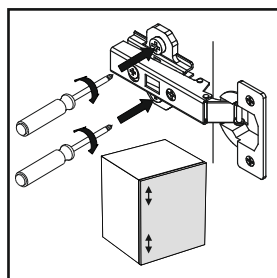
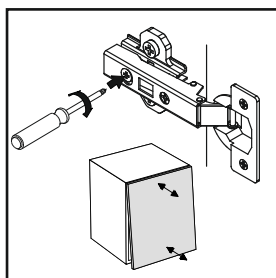
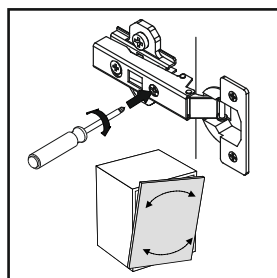
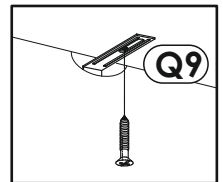
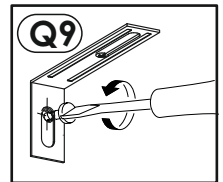
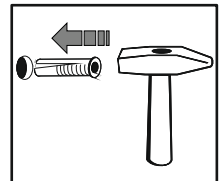
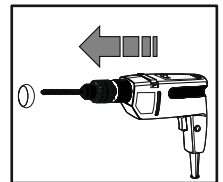
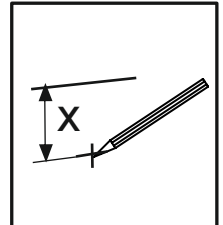
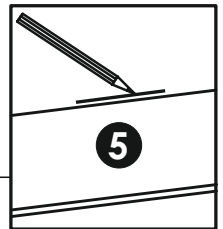
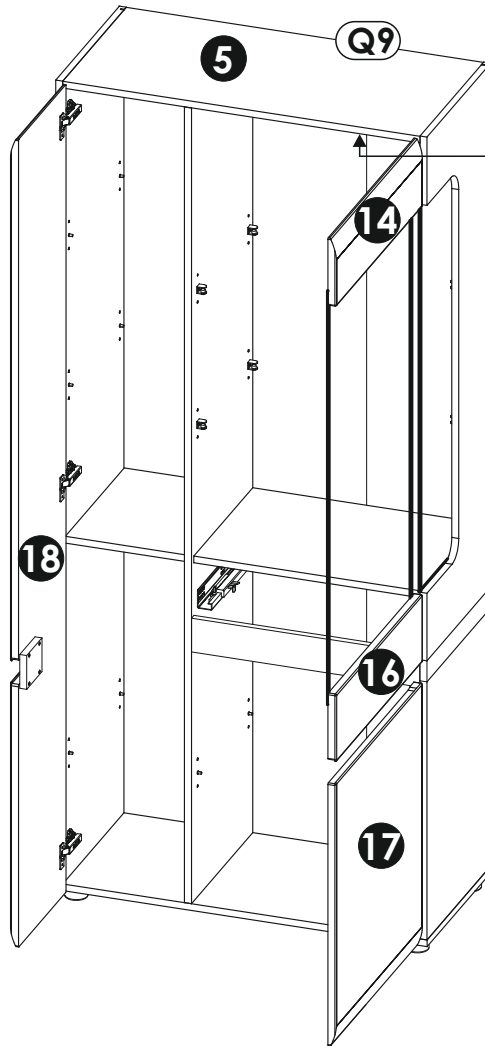
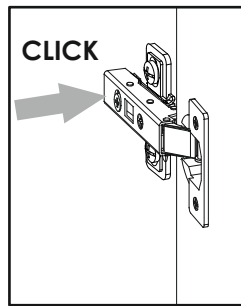
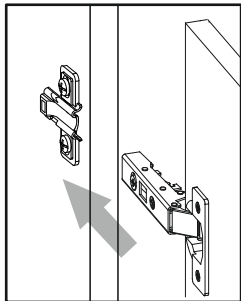
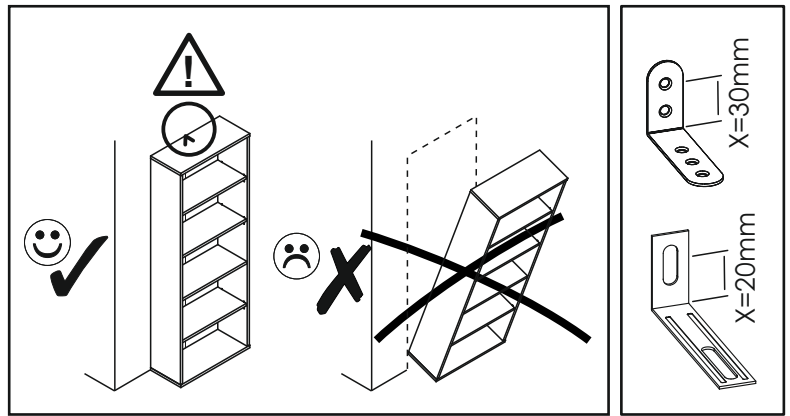
13 ▶



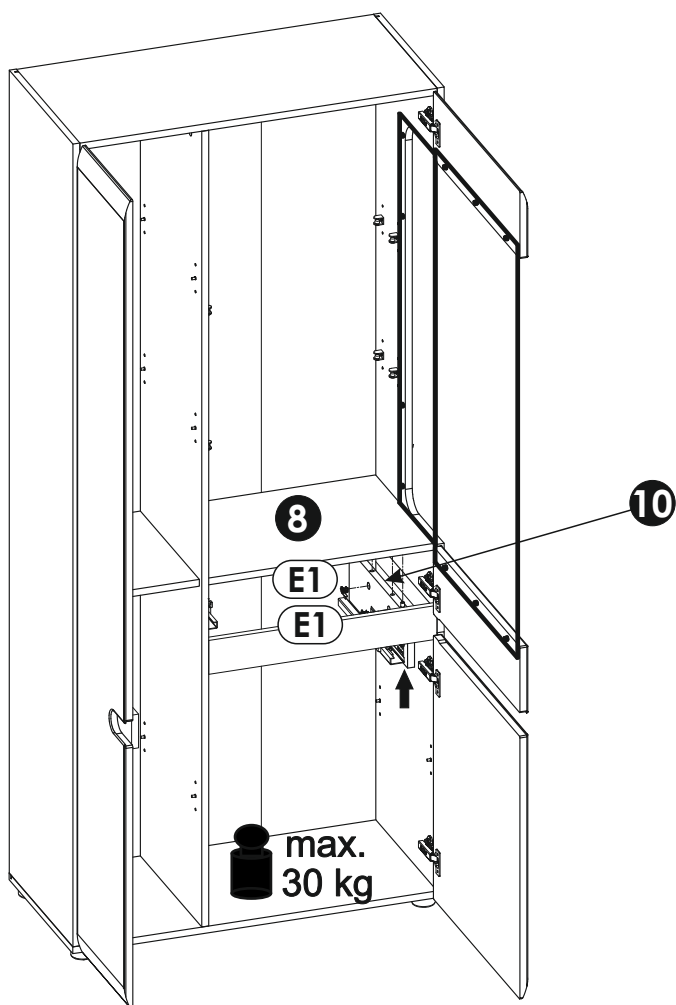
14 ▶



15 ▶



16 ▶



17▶



max. 5 kg

max. 3 kg

max. 10 kg

max. 30 kg

