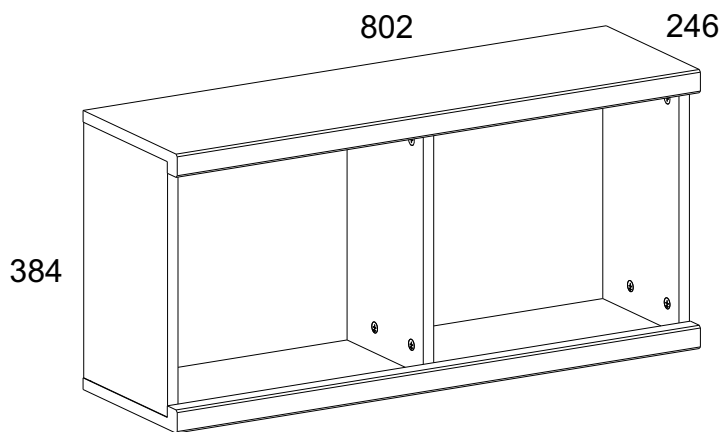
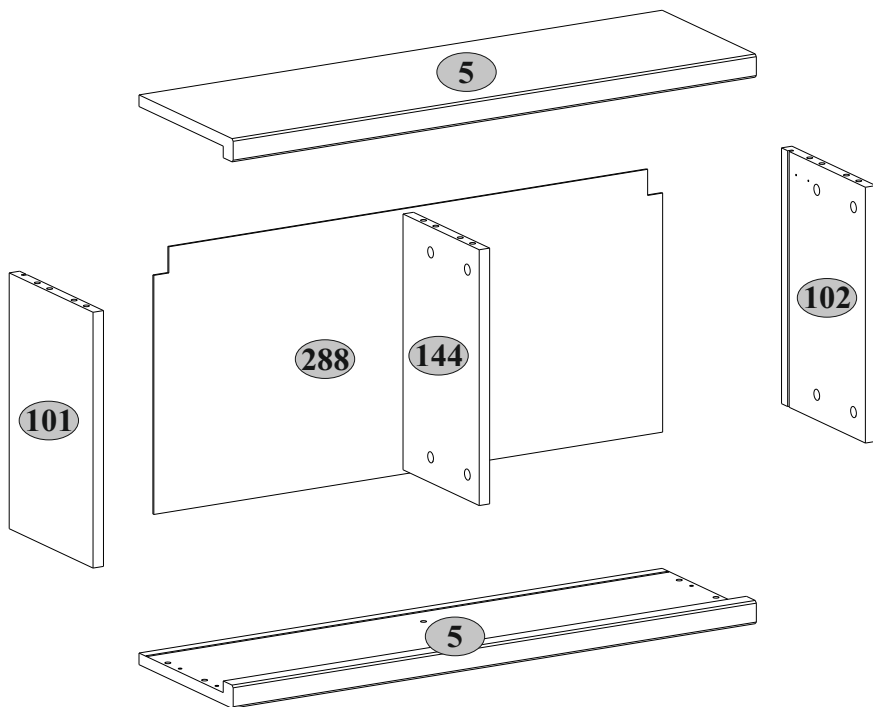





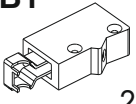
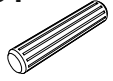

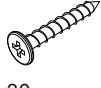
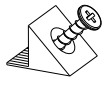

# DORSI 80

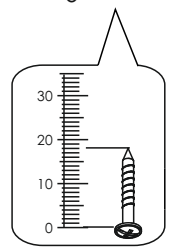
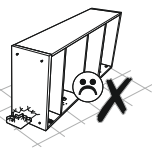
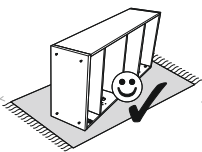
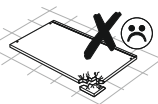
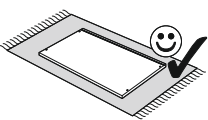
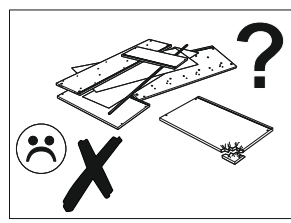
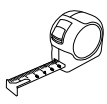
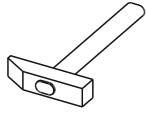
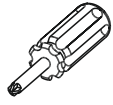
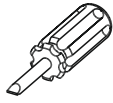
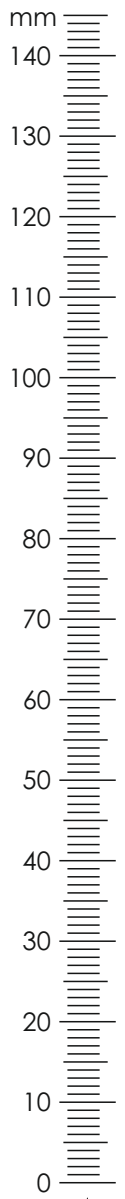


	L, mm	B, mm	H, mm	Q	
5	802	246	32	2	1/1
101	352	219	16	1	1/1
102	352	219	16	1	1/1
144	352	199	16	1	1/1
288	780	365	2,5	1	1/1

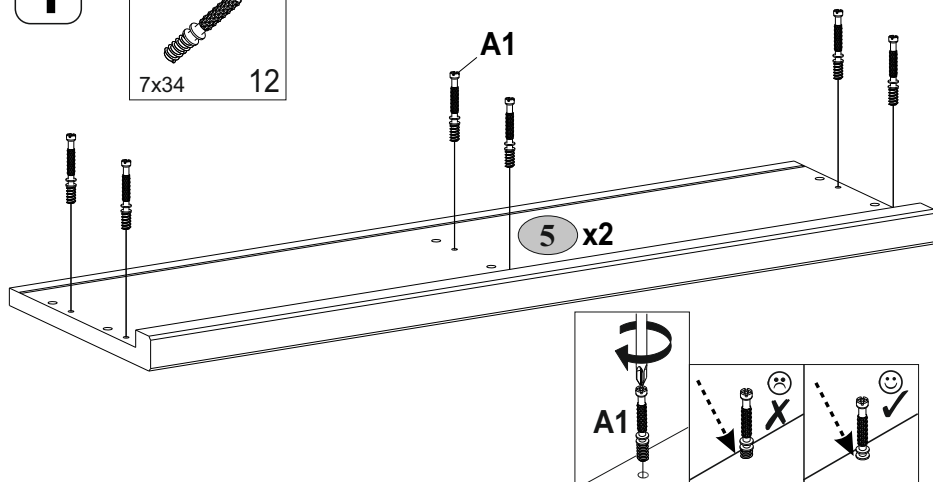
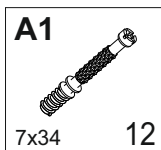




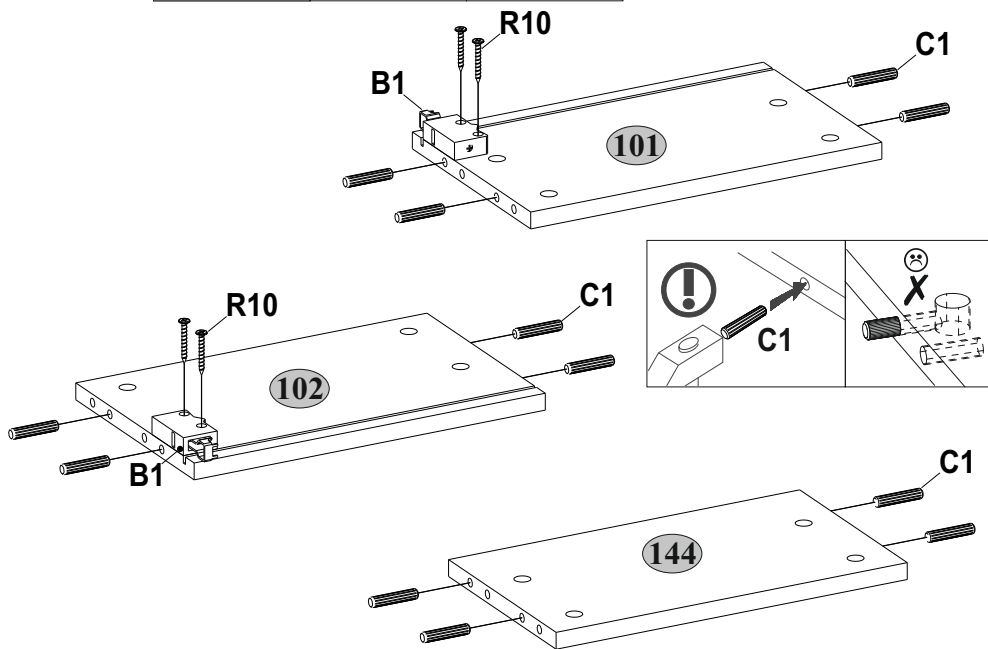
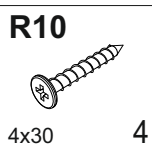
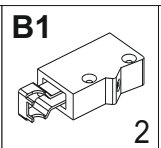
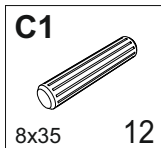
<b>A1</b>  7x34 12	<b>A2</b>  Ø15x12 12	<b>B4</b>  10x50 2	<b>B1</b>  2
<b>C1</b>  8x35 12	<b>R3</b>  3x20 2	<b>R10</b>  4x30 4	<b>S1</b>  6
<b>S5</b>  Ø18 12			



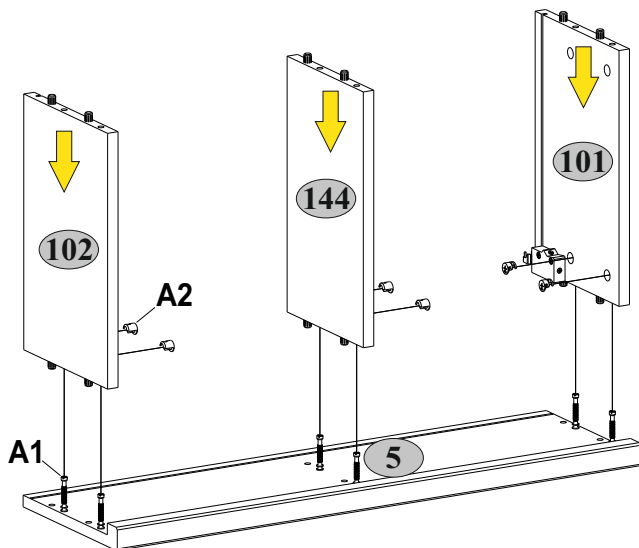
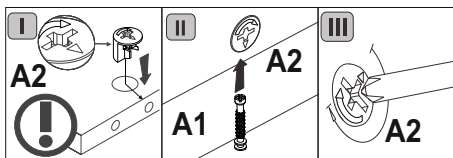
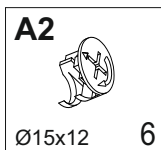
1



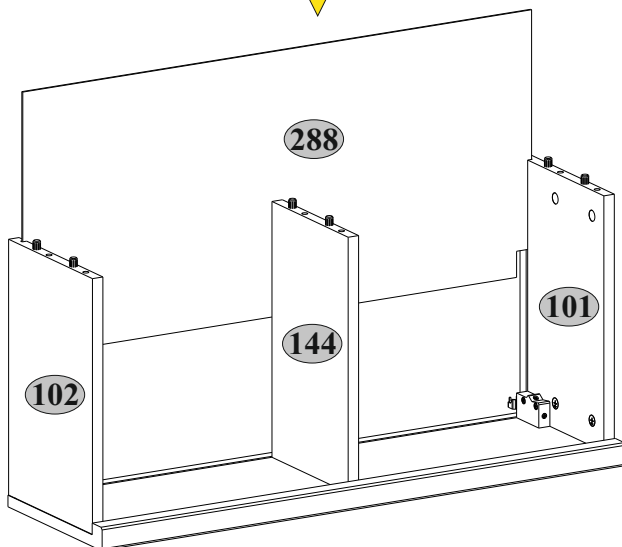
2

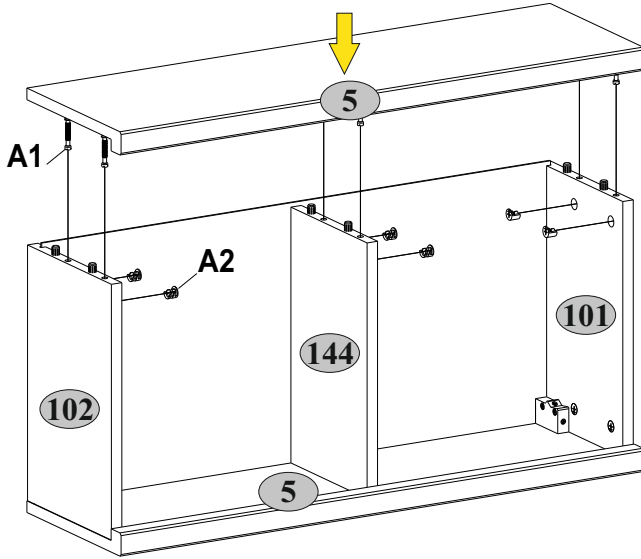
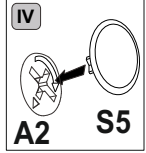
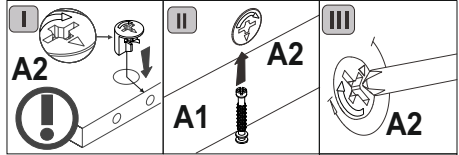
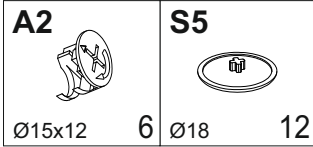
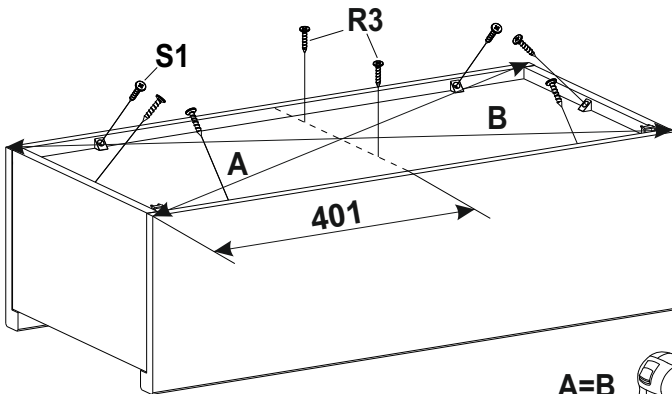
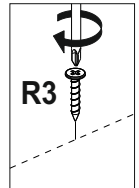
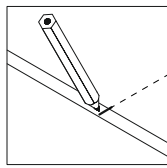
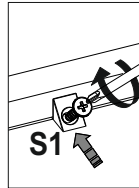
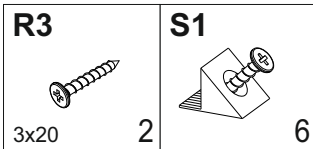


3

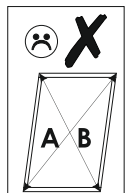
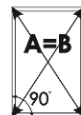
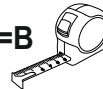


4

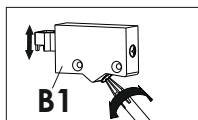
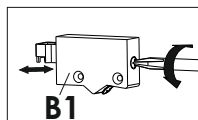
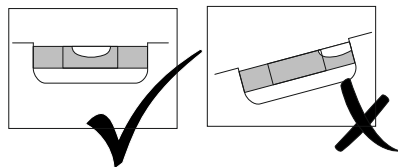
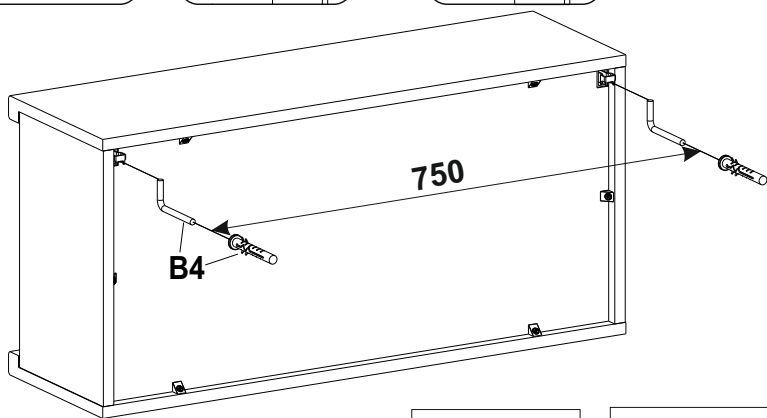
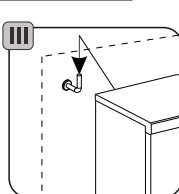
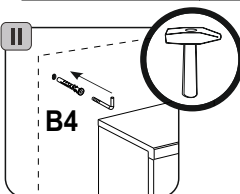
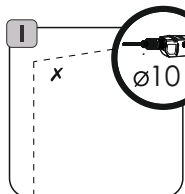
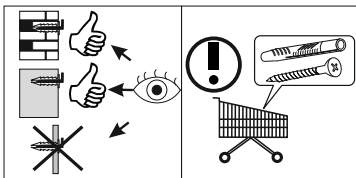
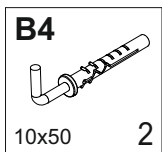


**5****6**

A=B



7



5 max. 10 kg

