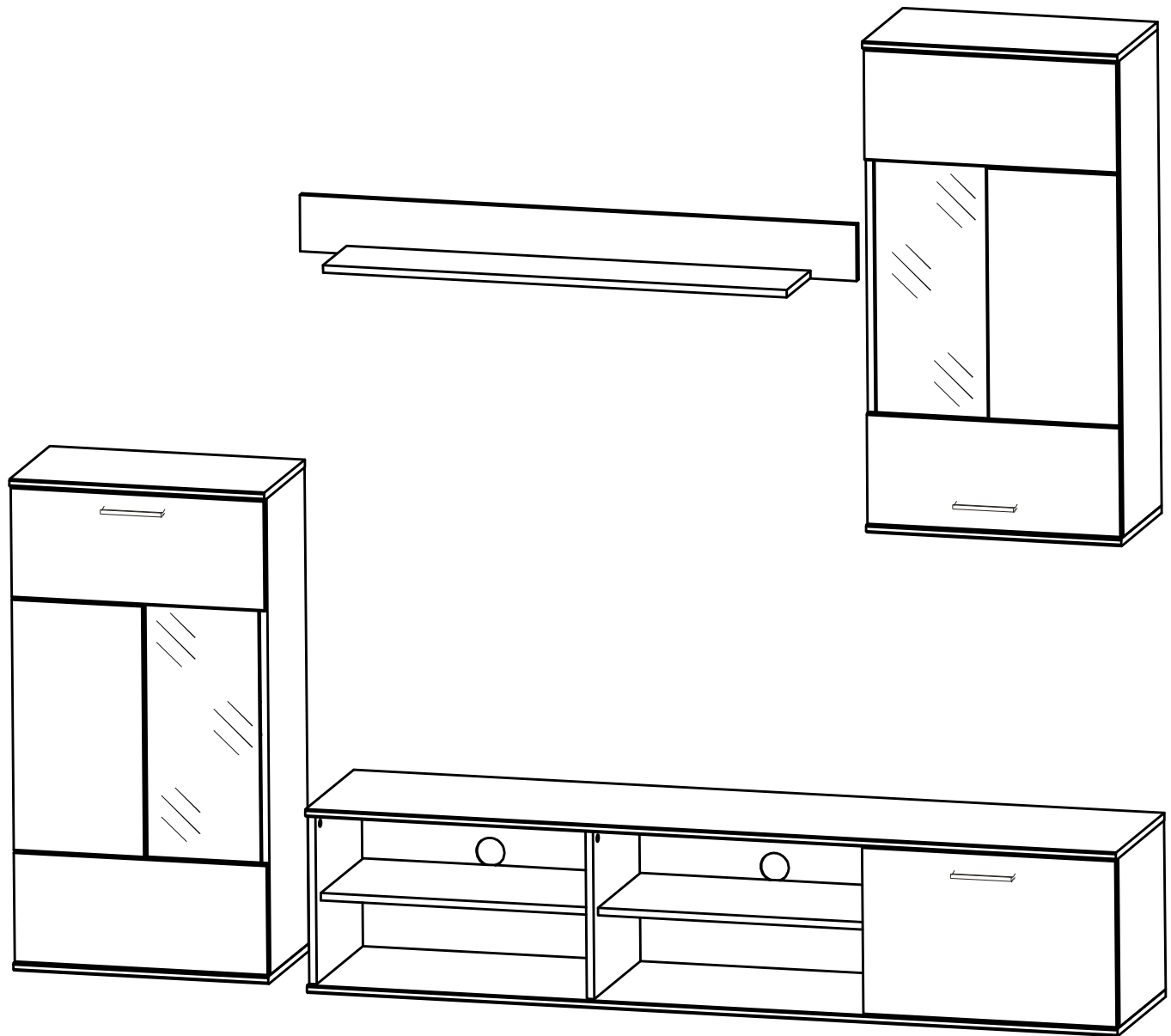


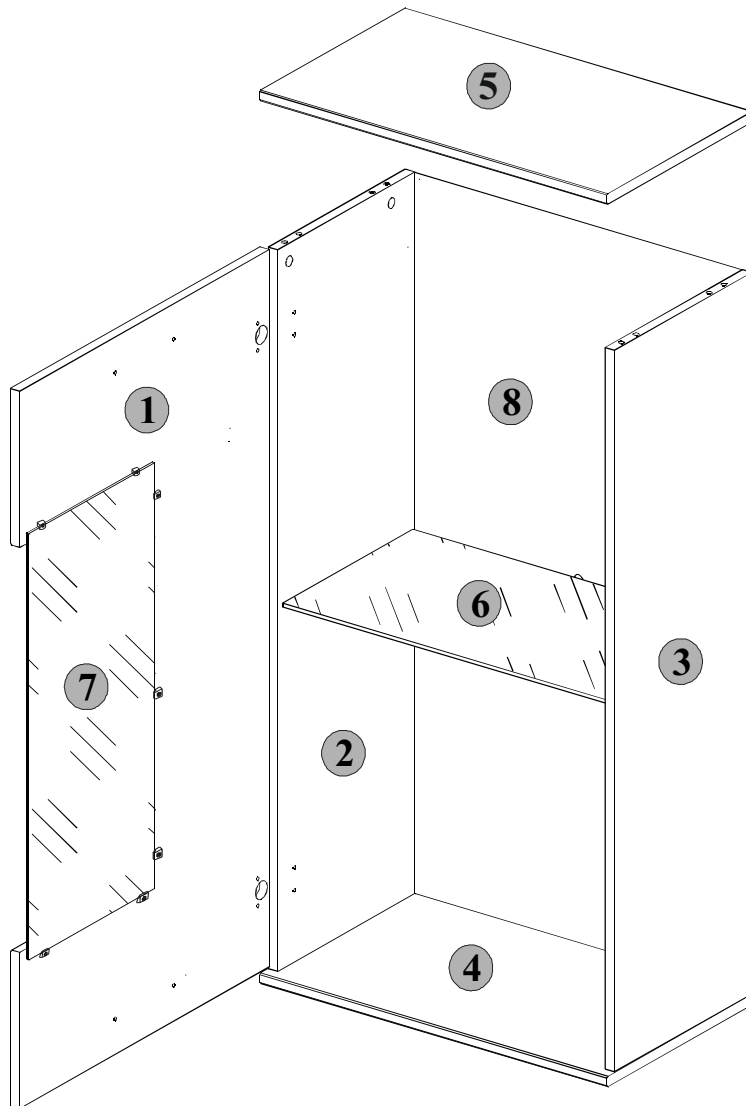
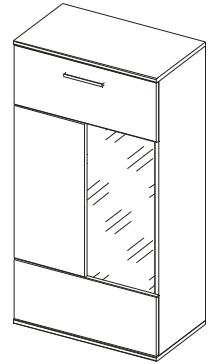
N67

FRONTAL 1 NEW

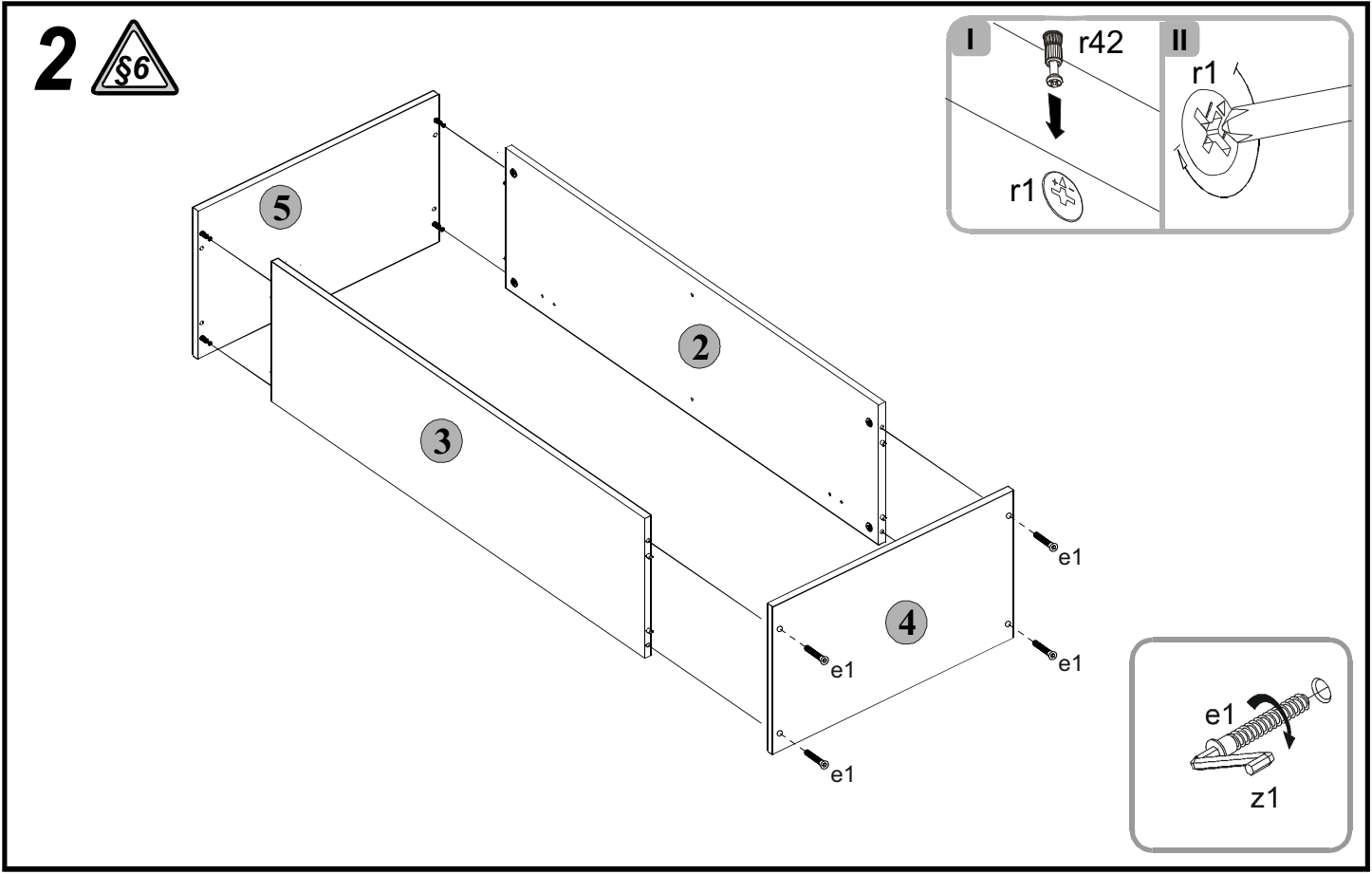
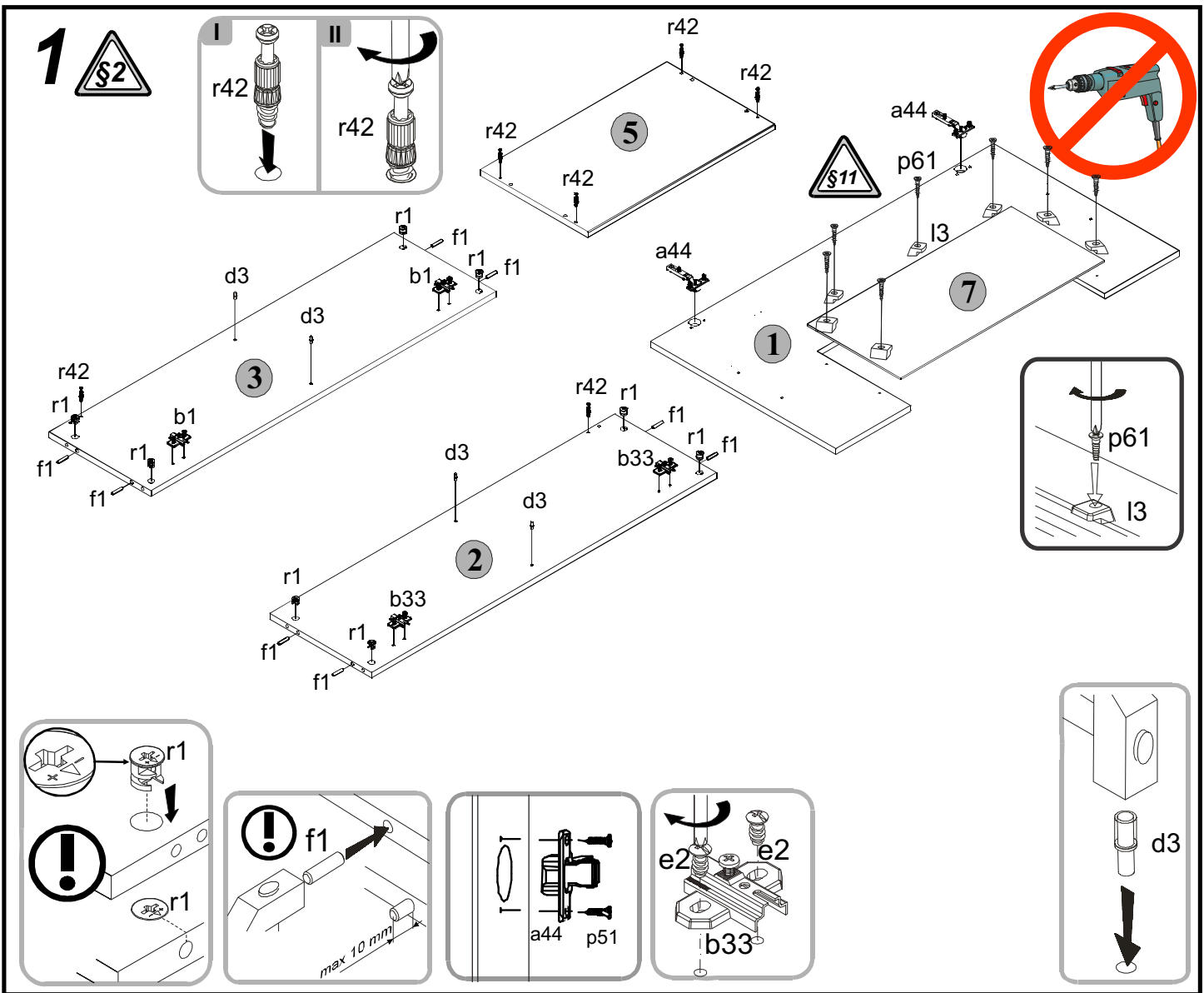


2x K16 a43			2x o43/1	1x o43/6	12x φ3,5x15 mm p51	2x n122		
4x K0 a44	6x b33	3x L=96/128 mm c235	8x φ5x17mm d3	37x φ8x30mm f1	18x Ø7x50 mm e1	10x φ45x15mm k50	110x l1	14x 3 mm i3
1x z1	8x f5x17 mm d1	6x φ4x22mm p60	14x φ3,5x16 mm p61	10x φ4x20mm p68	20x φ15x12mm #16 r1	20x r42	20x 16 s2	12x 5 s4
7x φ5x60 mm p17	4x f5x11 mm e4	7x f10x50 mm f35	2x g2	1x L-236 m3	3x f3,5x13 mm p1	2x f6x13 mm e3	2x n10	4x φ4x30mm p21
1x 86x21x15/1,5mm n14/2	2x φ3,5x16 mm p38							

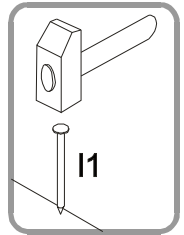
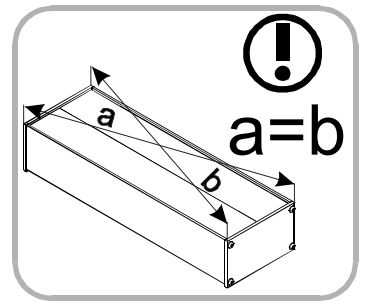
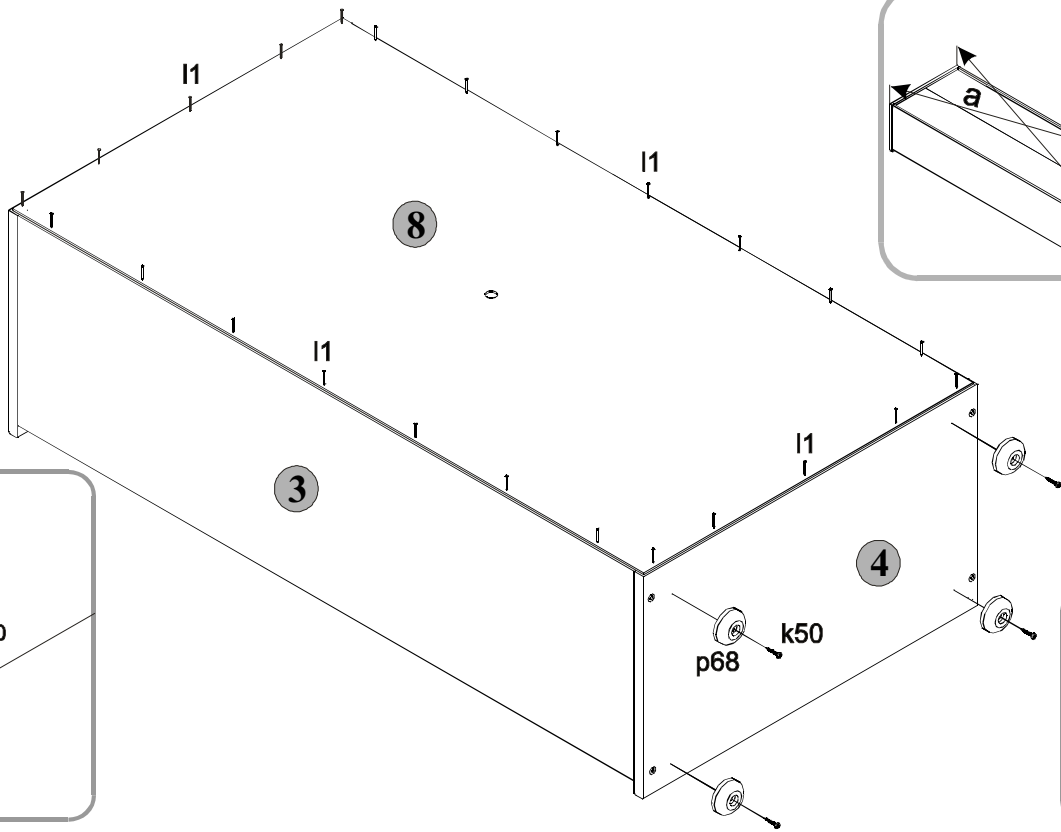
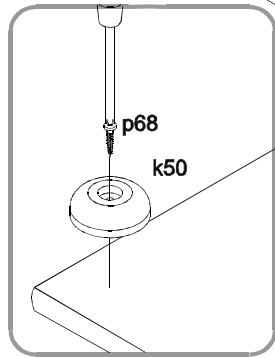
N67-KOM1W



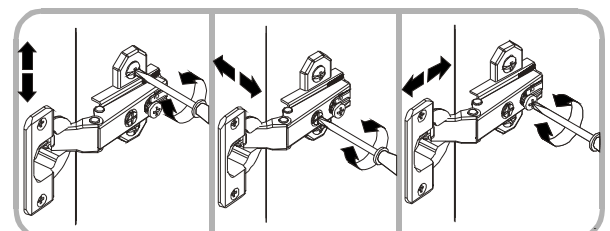
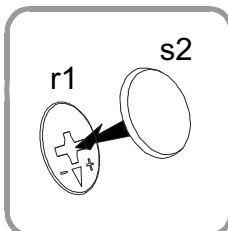
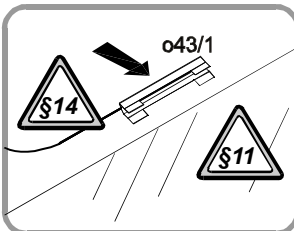
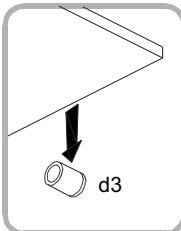
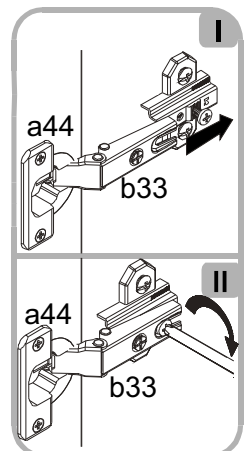
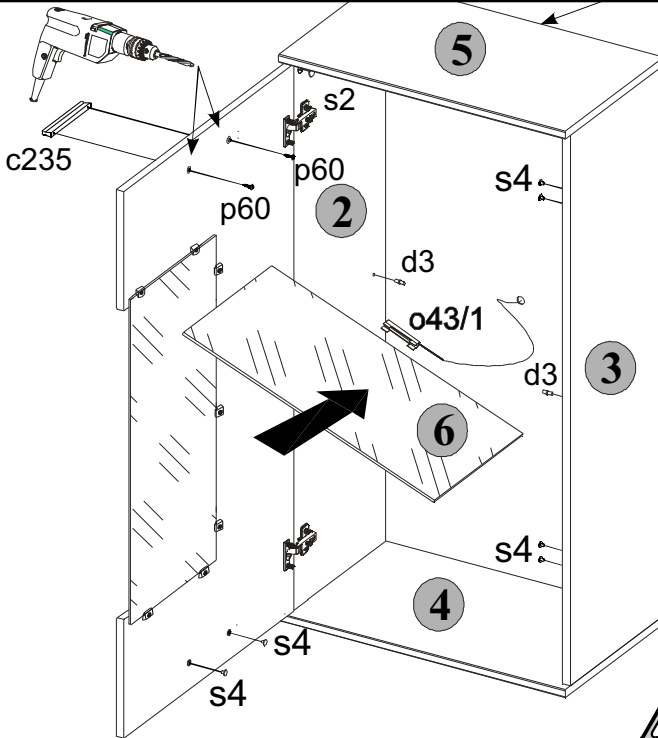
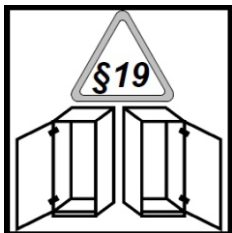
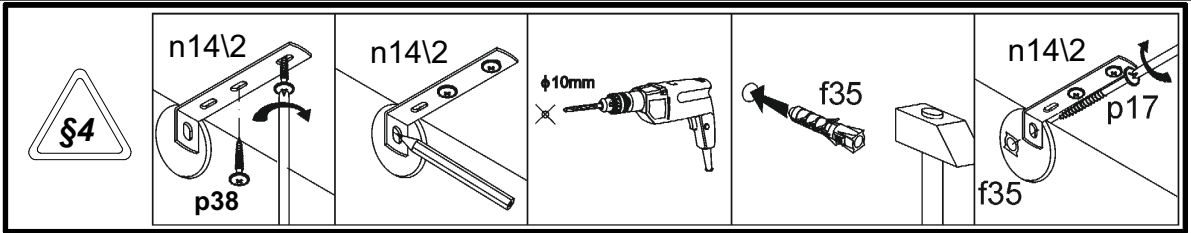
A	B	C	D
1	N67-001	1010x545	2/3
2	N67-101	1016x300	2/3
3	N67-102	1016x300	2/3
4	N67-201	550x318	3/3
5	N67-202	550x318	3/3
6	N67-301	515x285	3/3
7	N67-501	600x275	3/3
8	N67-901	1044x545	2/3



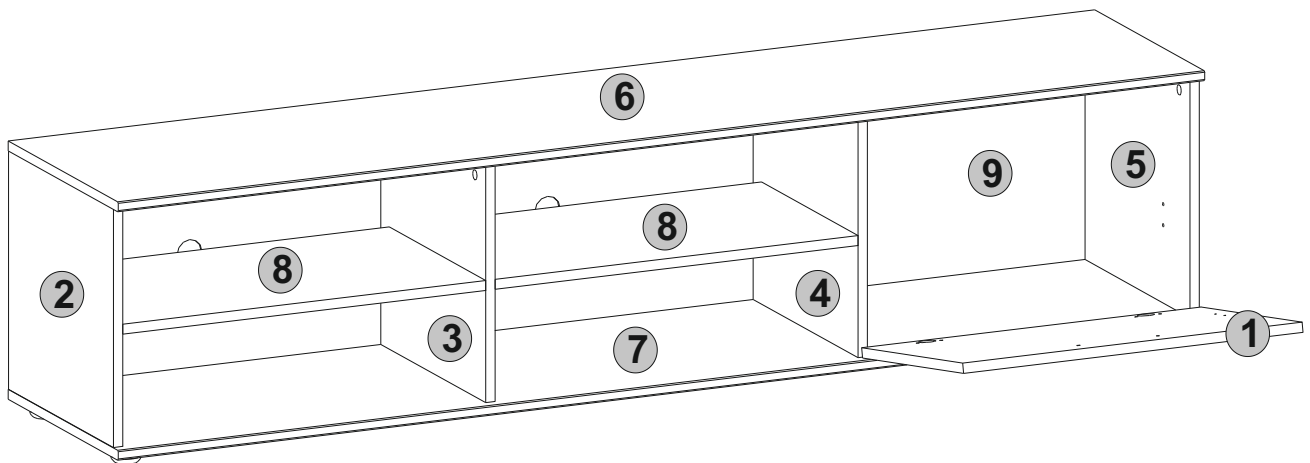
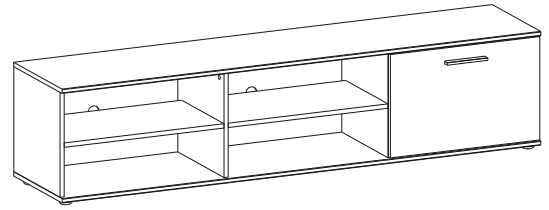
3



4

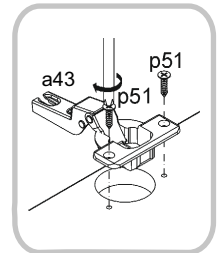
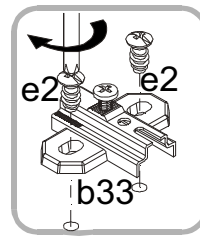
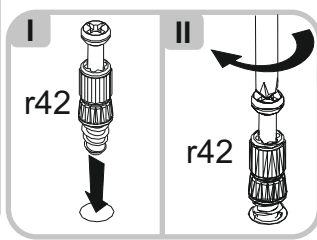
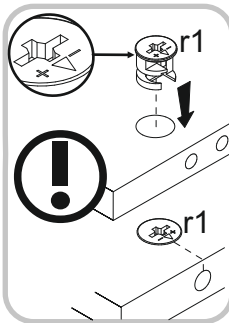
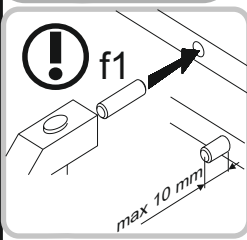
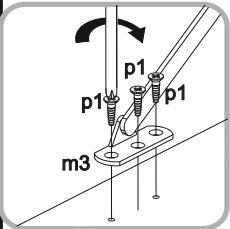
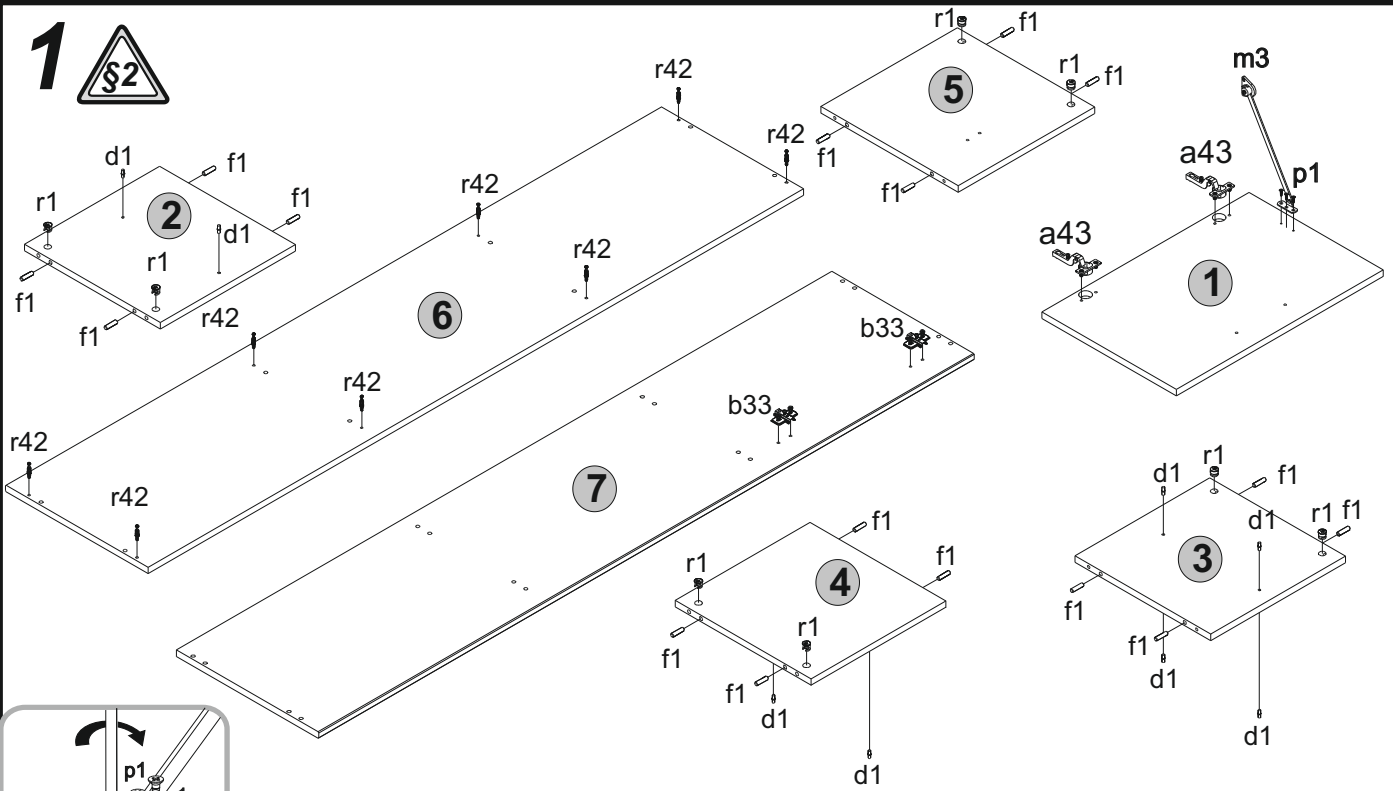


N67-RTV1K/175

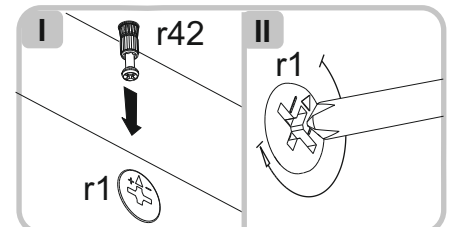
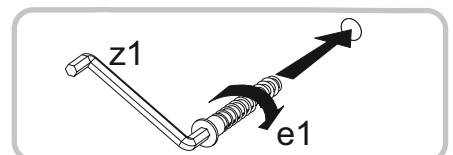
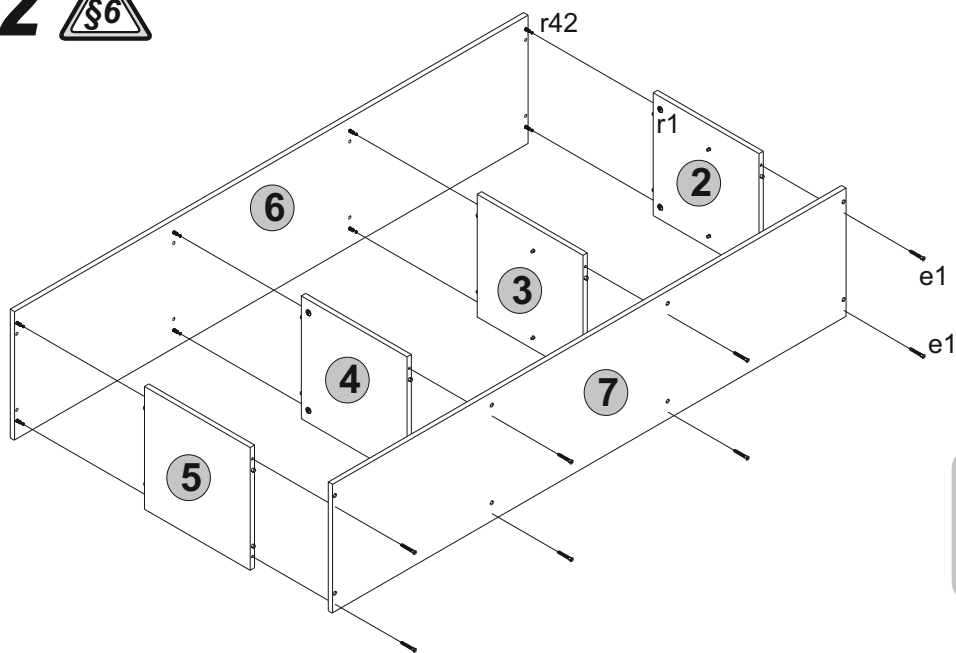


A	B	C	D
1	N67-002	546x354	1/3
2	N67-105	360x362	1/3
3	N67-107	360x362	1/3
4	N67-108	360x362	1/3
5	N67-106	360x362	1/3
6	N67-205	1748x380	1/3
7	N67-204	1748x380	1/3
8	N67-303	580x332	3/3
9	N67-903	1743x388	1/3

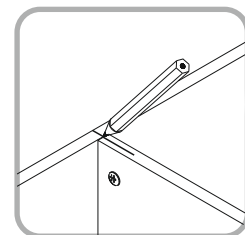
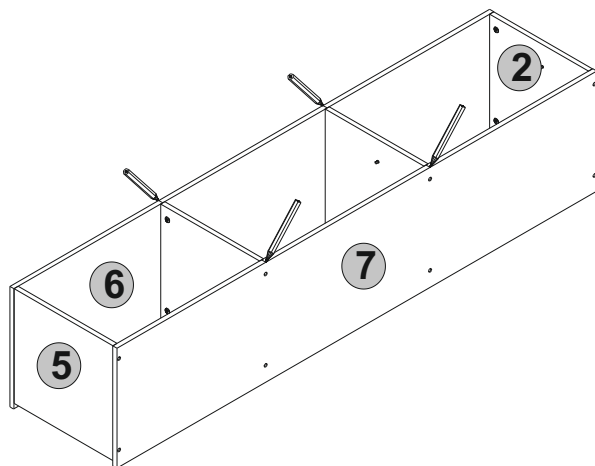
1



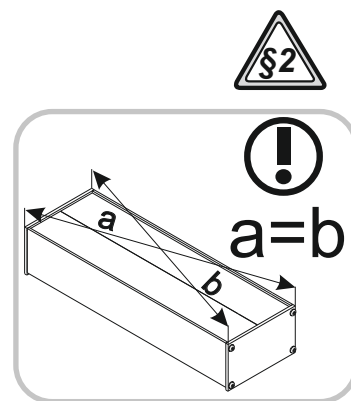
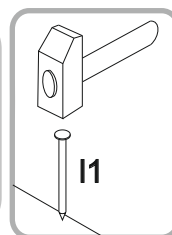
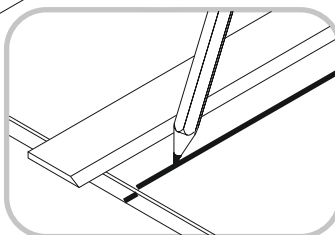
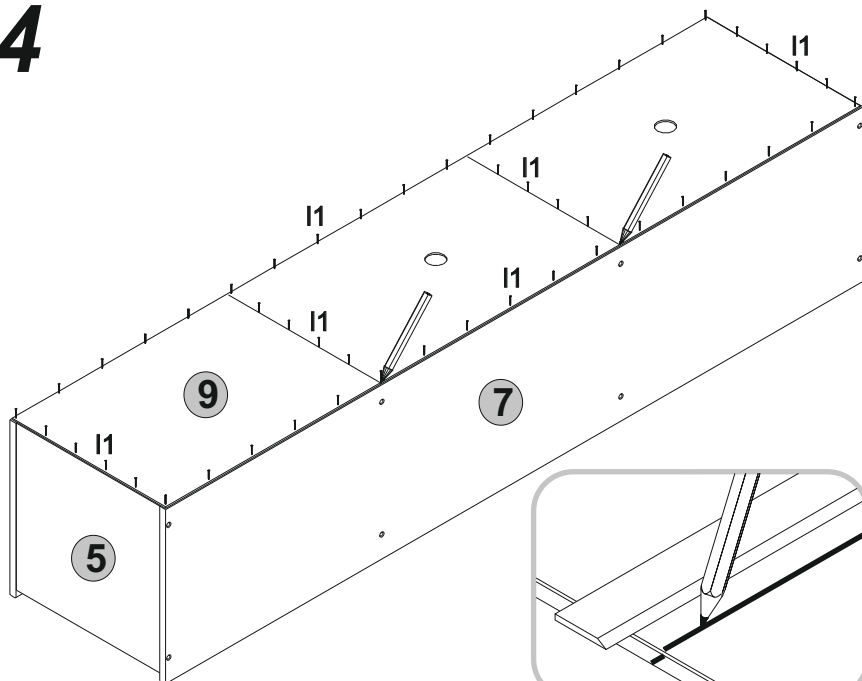
2



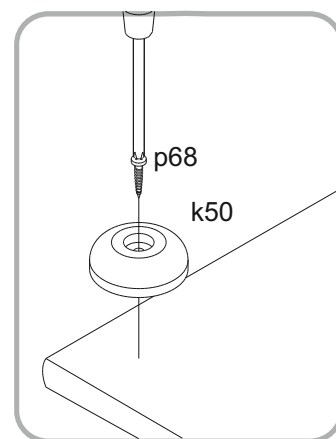
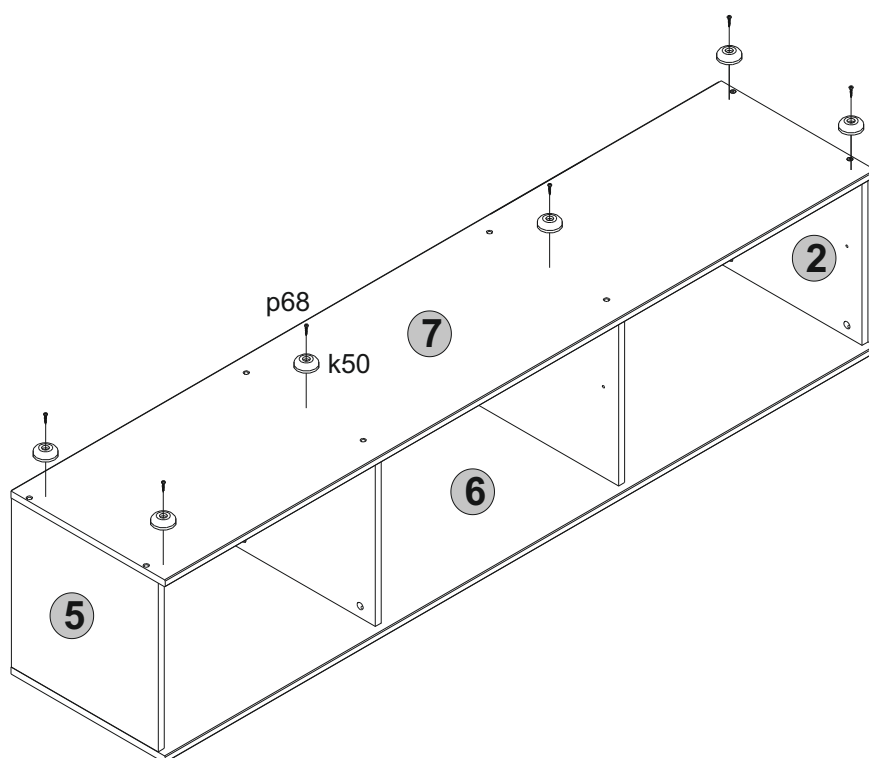
3



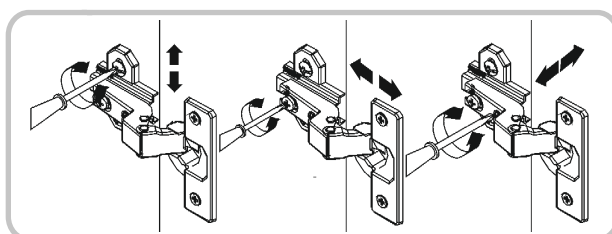
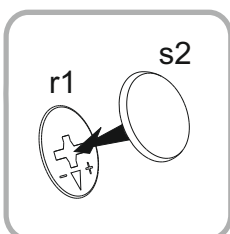
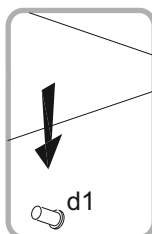
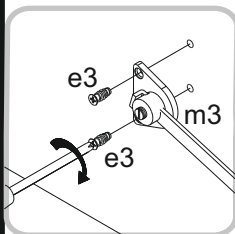
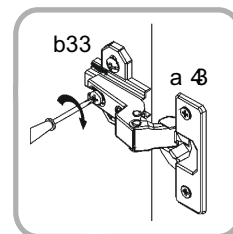
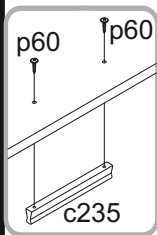
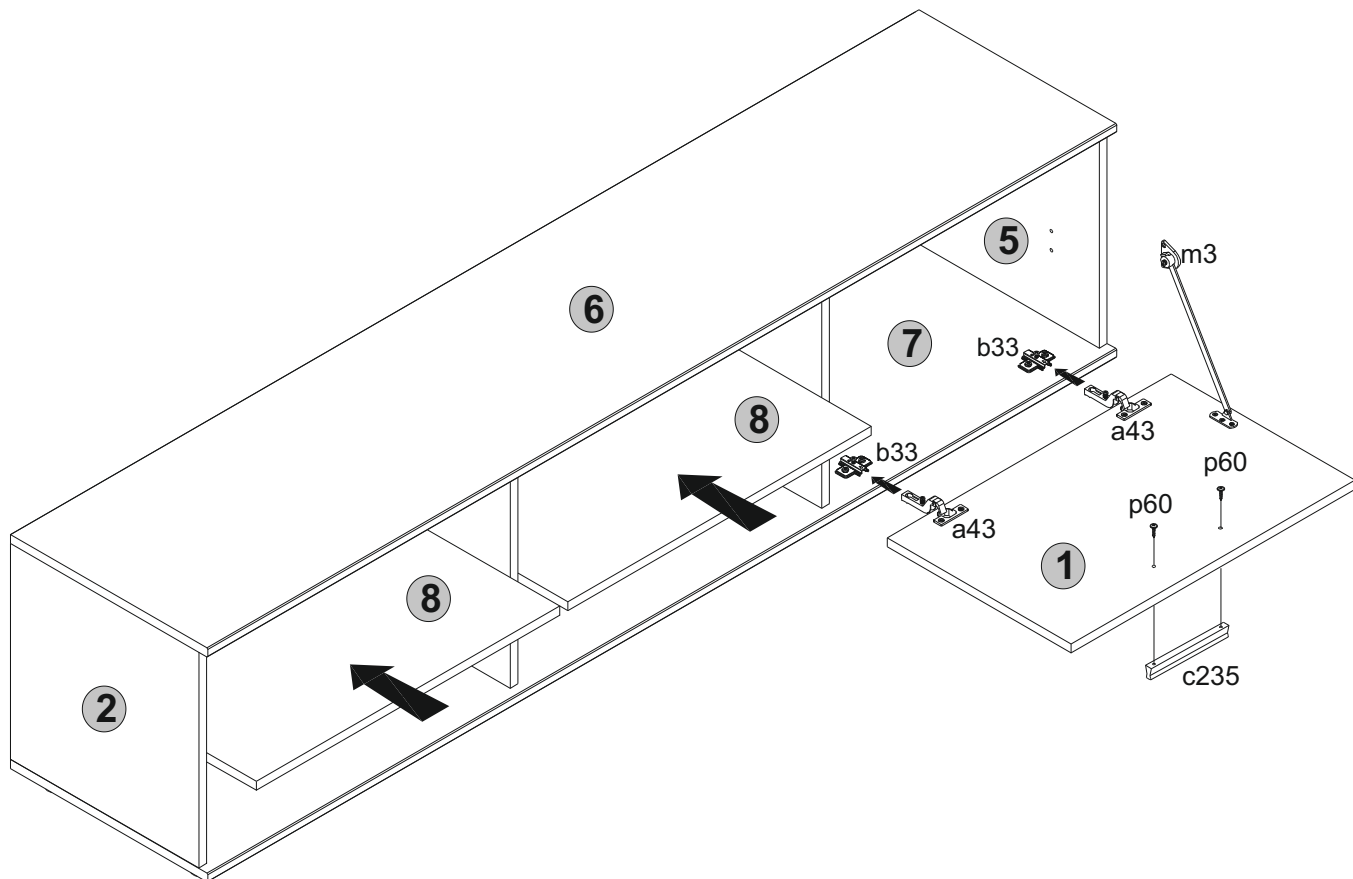
4



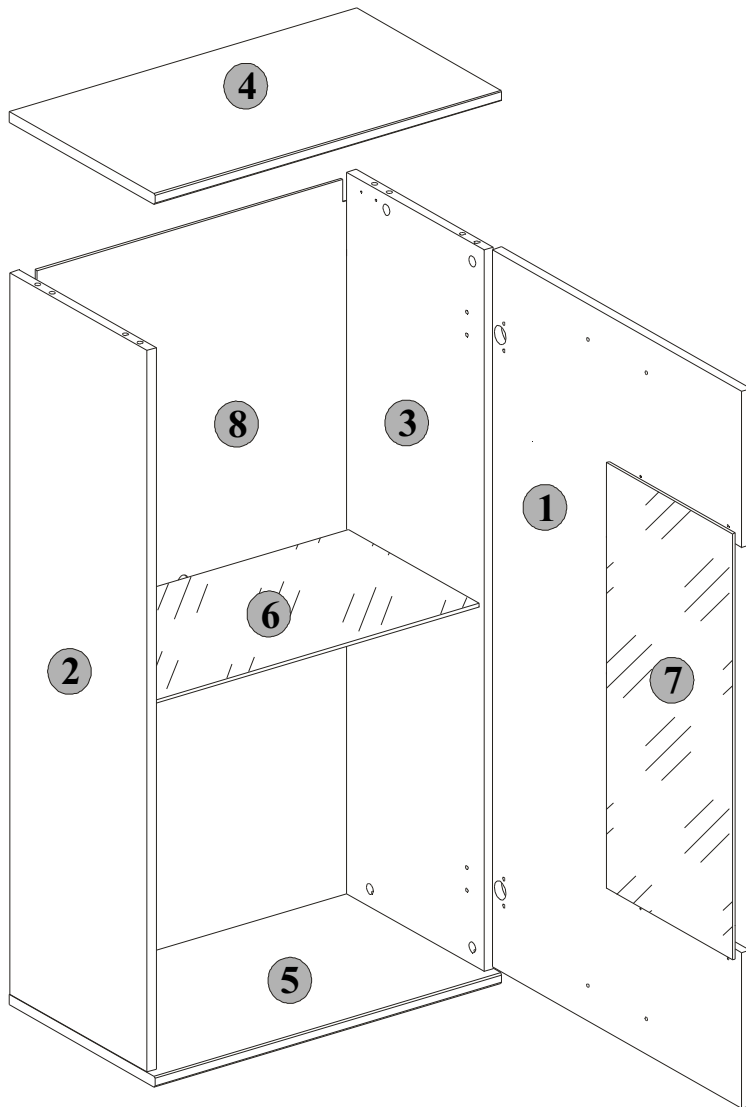
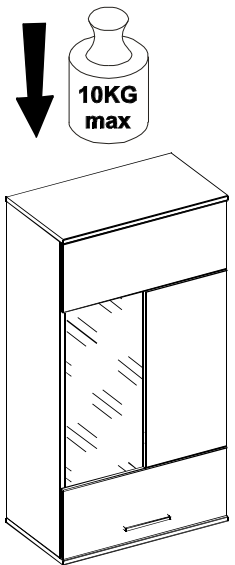
5




6

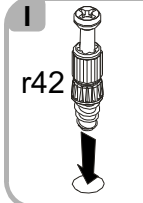
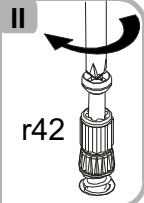


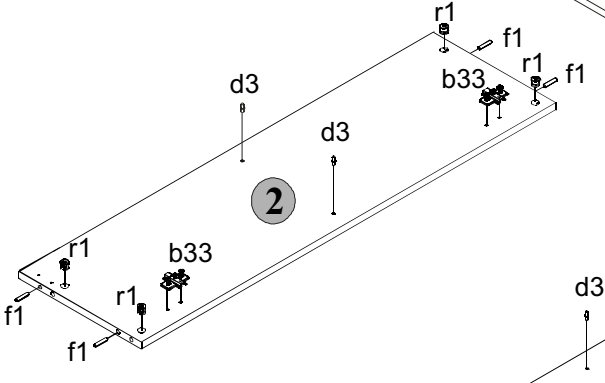
N67-SFW1W

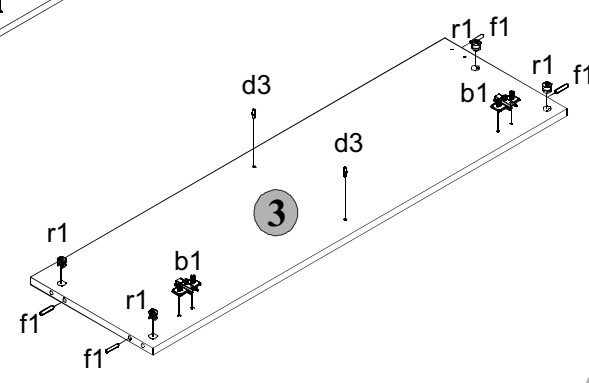


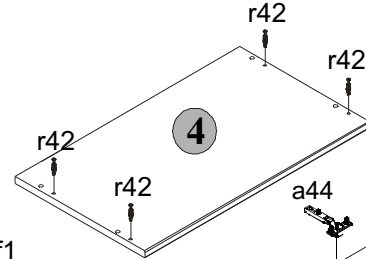
A	B	C	D
1	N67-001	1010x545	2/3
2	N67-103	1016x300	2/3
3	N67-104	1016x300	2/3
4	N67-202	550x318	3/3
5	N67-203	550x318	3/3
6	N67-301	515x285	3/3
7	N67-501	600x275	3/3
8	N67-902	1044x545	2/3

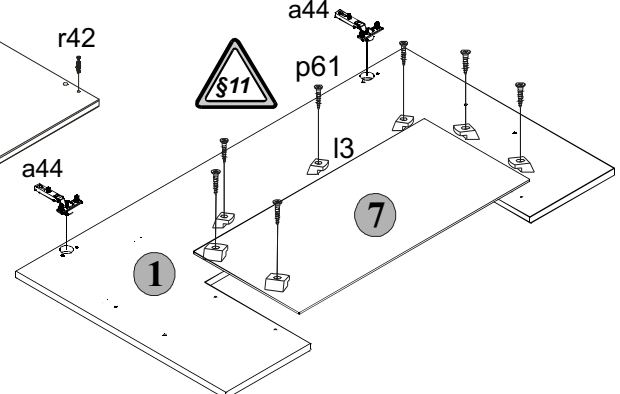
1 


I  II 

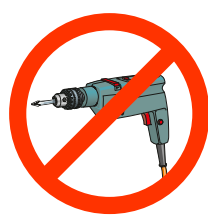
2 

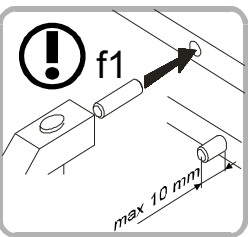
3 

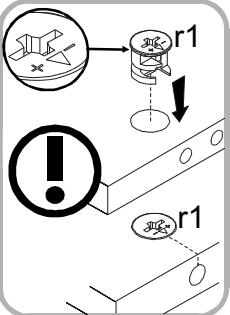
4 

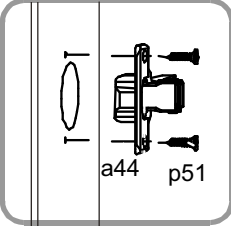
7 

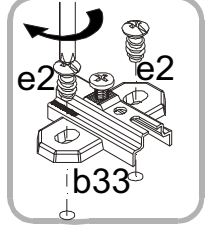


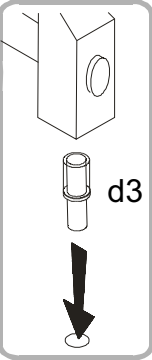


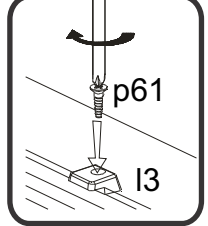





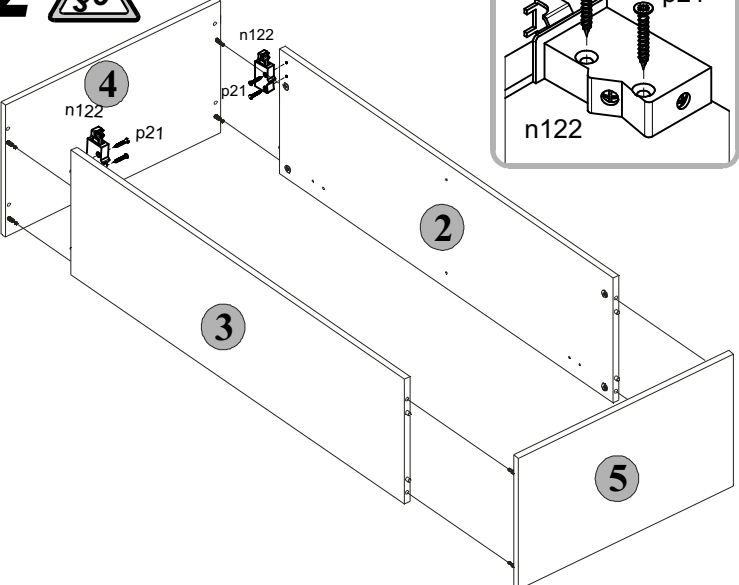


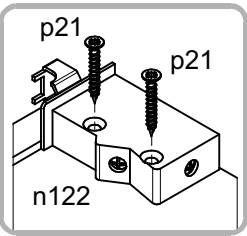


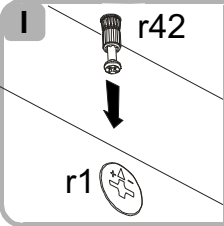
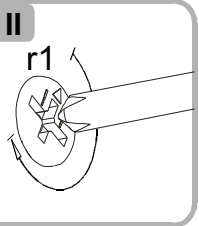




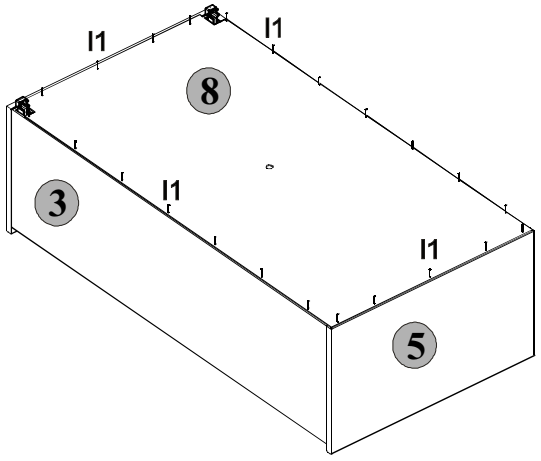
2 

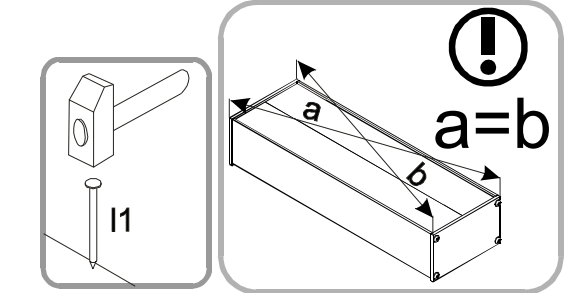
4 

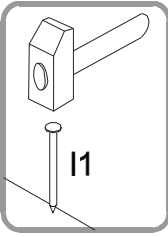
5 

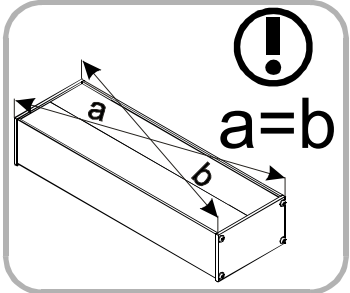
I  II 

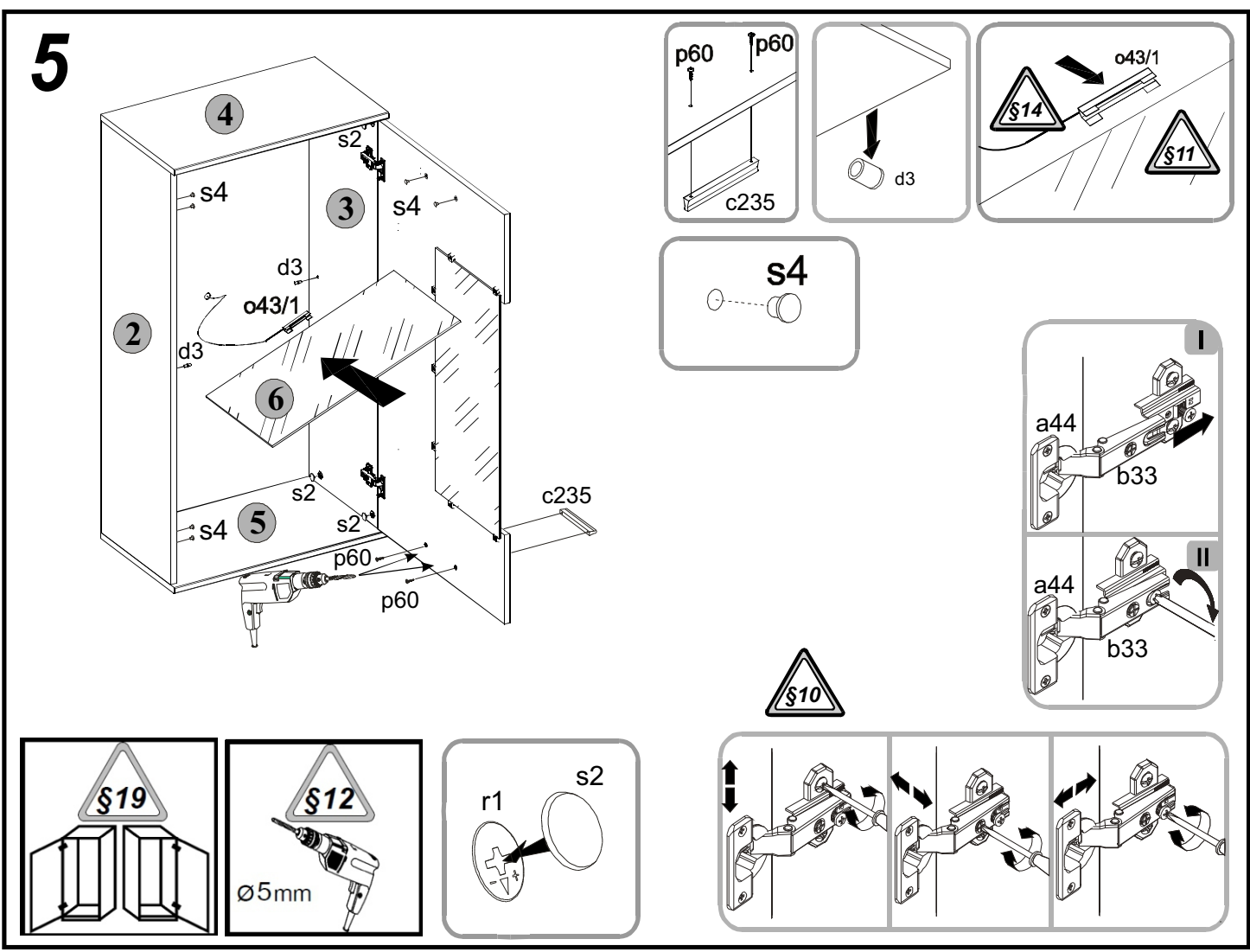
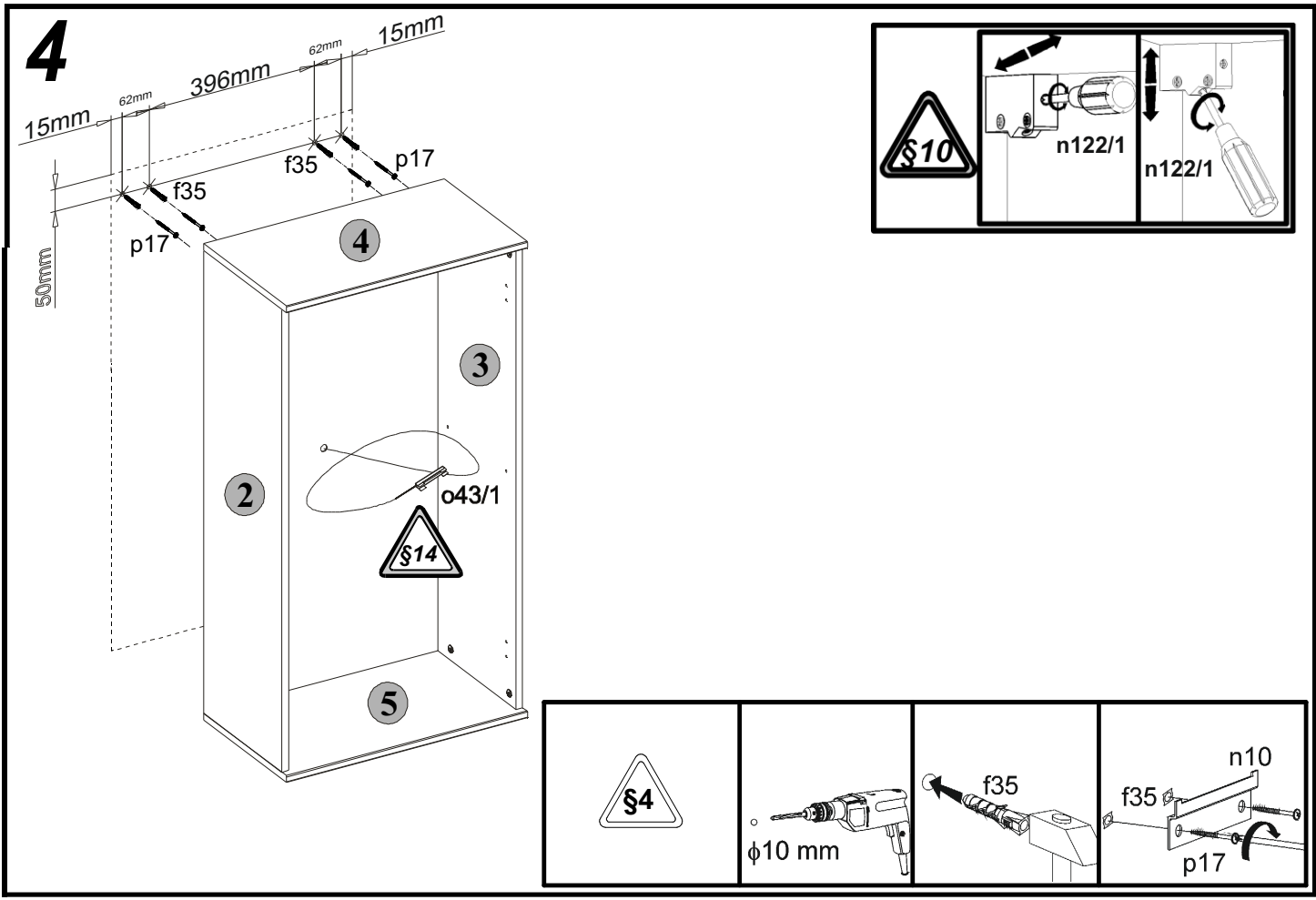
3

8 

5 







N67-POL/120



A	B	C	D
1	N67-302	1000x185	1/3
2	N67-401	1200x120	1/3

