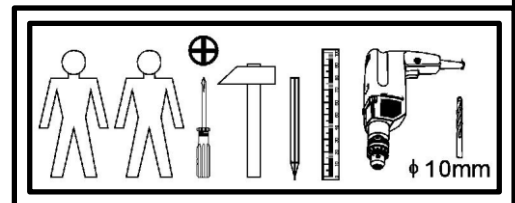
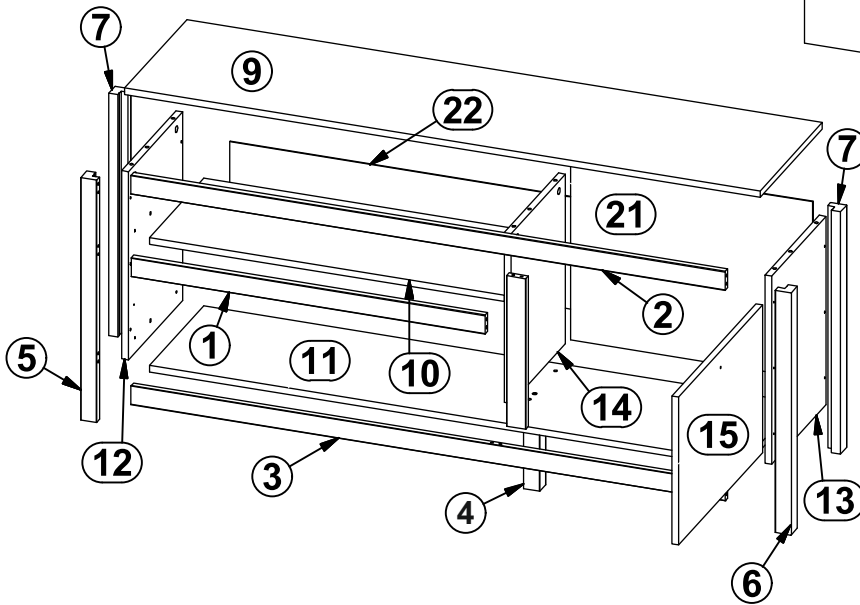
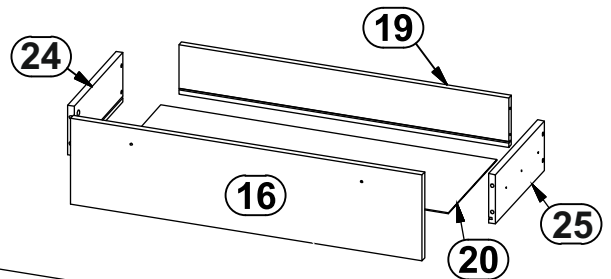
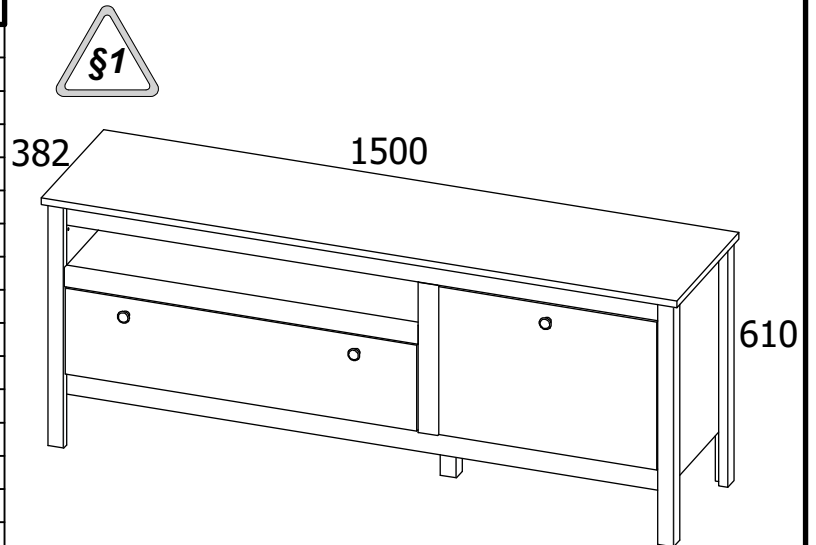


LOFTA

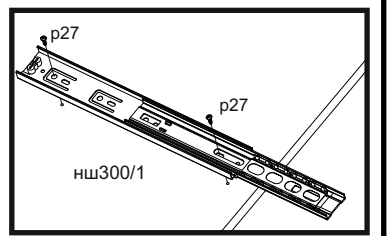
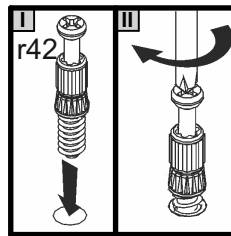
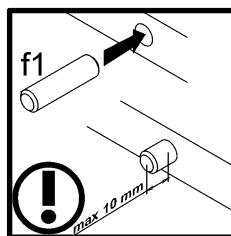
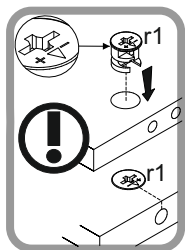
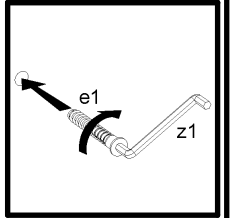
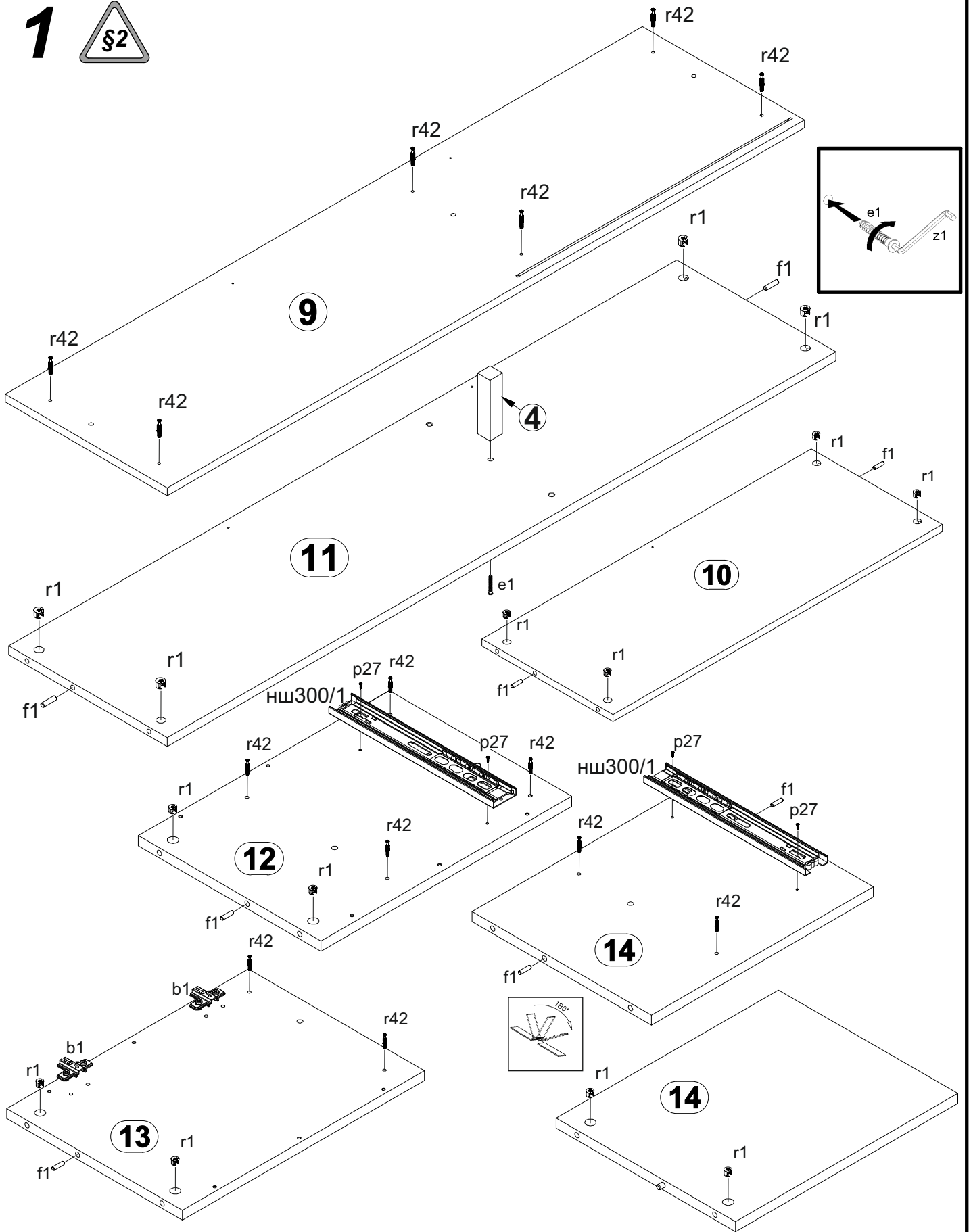
B156-RTV1D1S

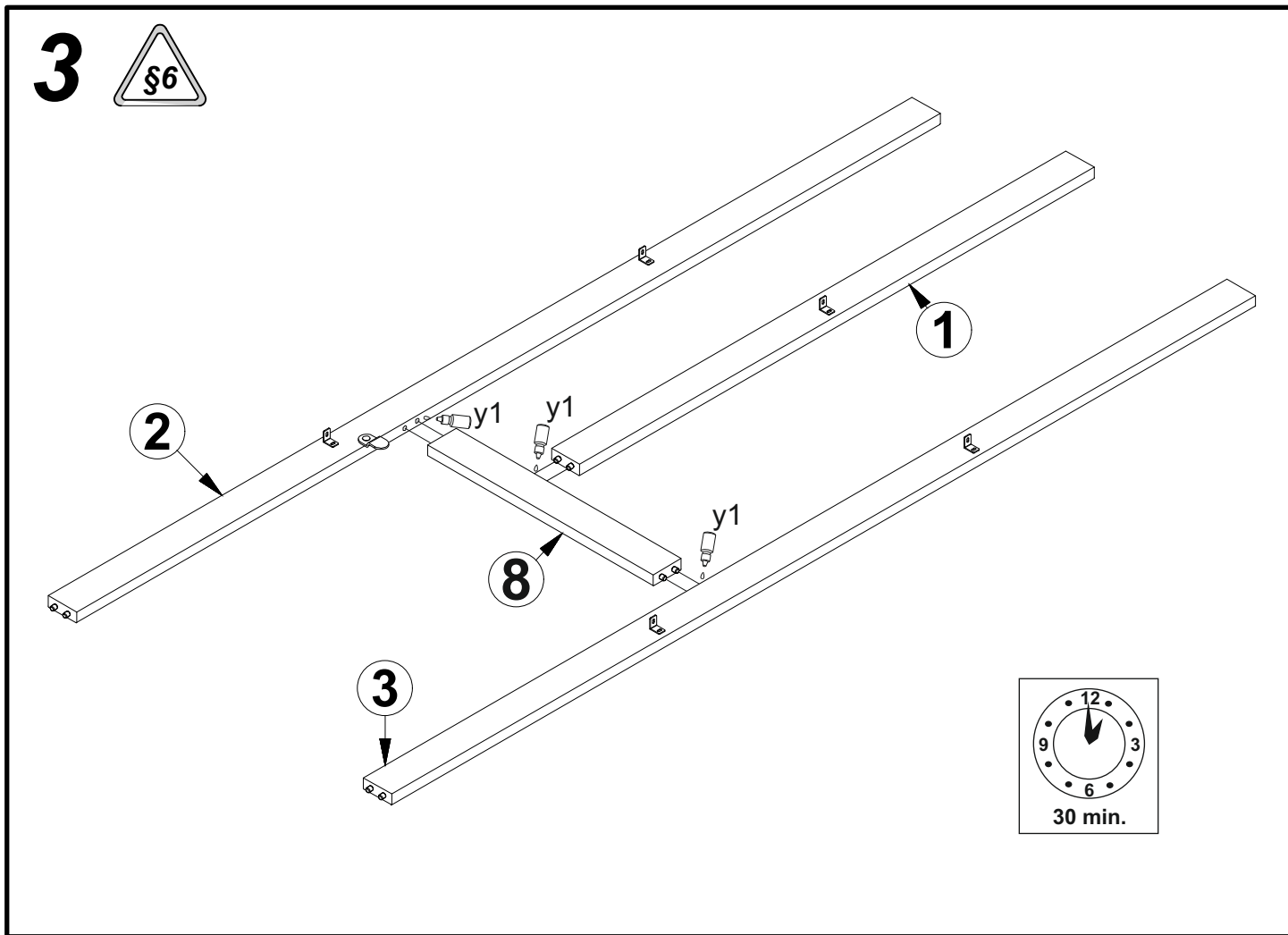
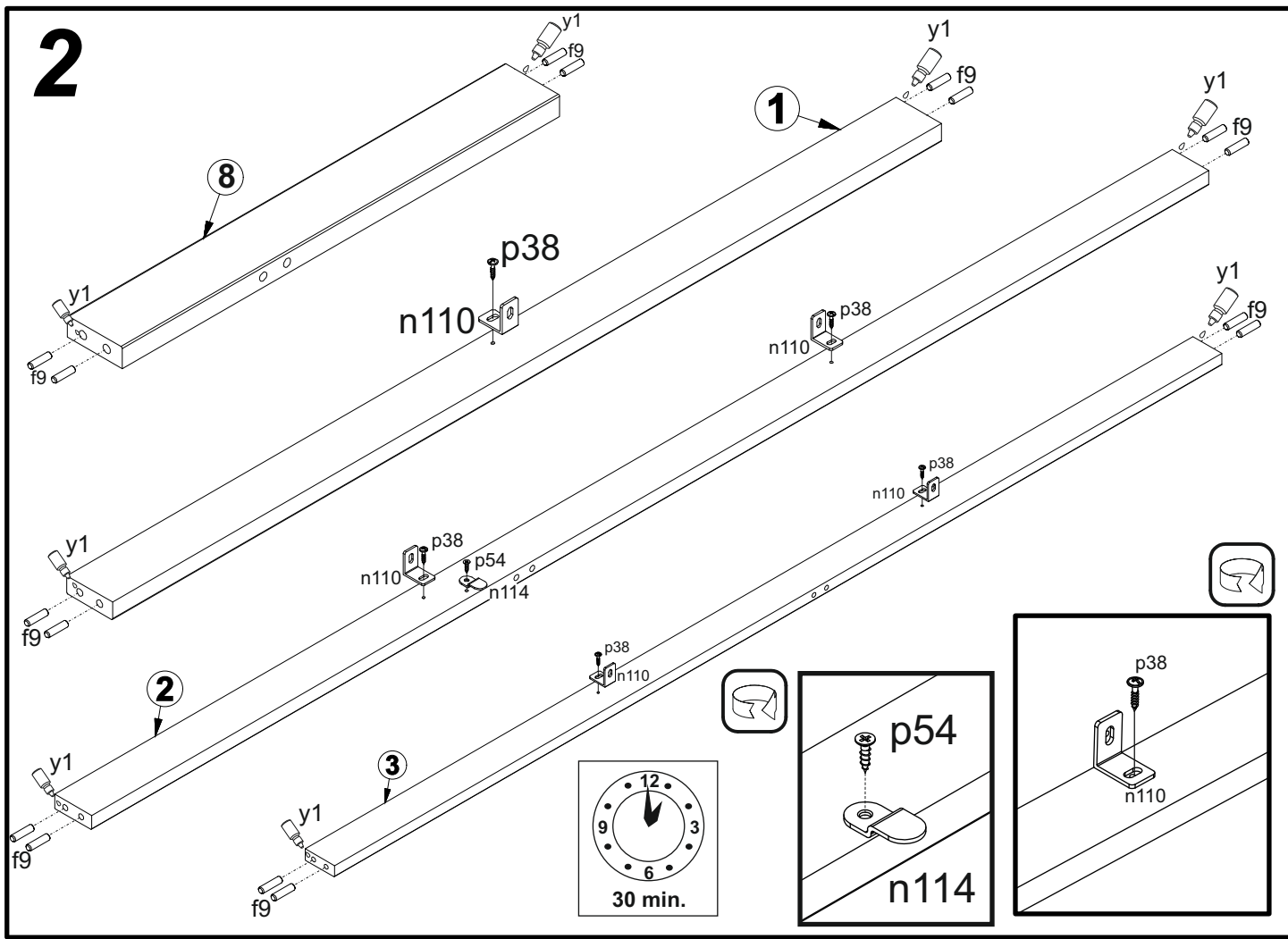
A	B	C			D	E
1	B156-1501	836	46	16	1	1\1
2	B156-1502	1403	46	16	1	1\1
3	B156-1503	1403	46	16	1	1\1
8	B156-1504	366	46	16	1	1\1
5	B156-1505	589	38	38	1	1\1
6	B156-1506	589	38	38	1	1\1
7	B156-1507	589	38	38	2	1\1
4	B156-1508	160	38	38	1	1\1
9	B156-201	1500	382	16	1	1\1
10	B156-302	333	837	16	1	1\1
11	B156-301	333	1403	16	1	1\1
12	B156-101	333	458	16	1	1\1
13	B156-102	333	458	16	1	1\1
14	B156-103	333	413	16	1	1\1
15	B156-001	515	360	16	1	1\1
16	B156-002	830	209	16	1	1\1
24	B156-501	300	120	16	1	1\1
25	B156-502	300	120	16	1	1\1
19	B156-503	779	120	12,16,18	1	1\1
20	B156-901	793	298	2,5	1	1\1
21	B156-902	572	432	2,5	1	1\1
22	B156-903	859	273	2,5	1	1\1
-					1	1\1



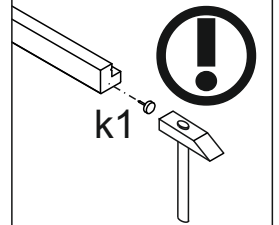
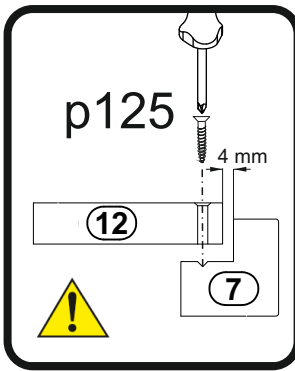
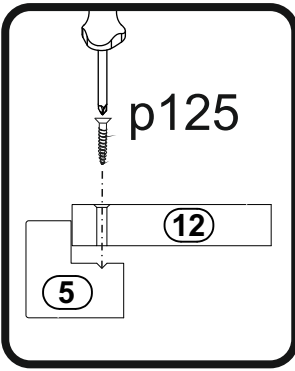
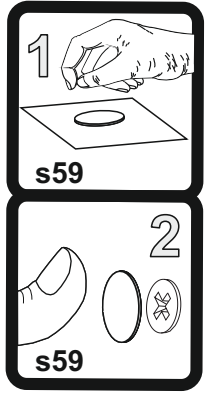
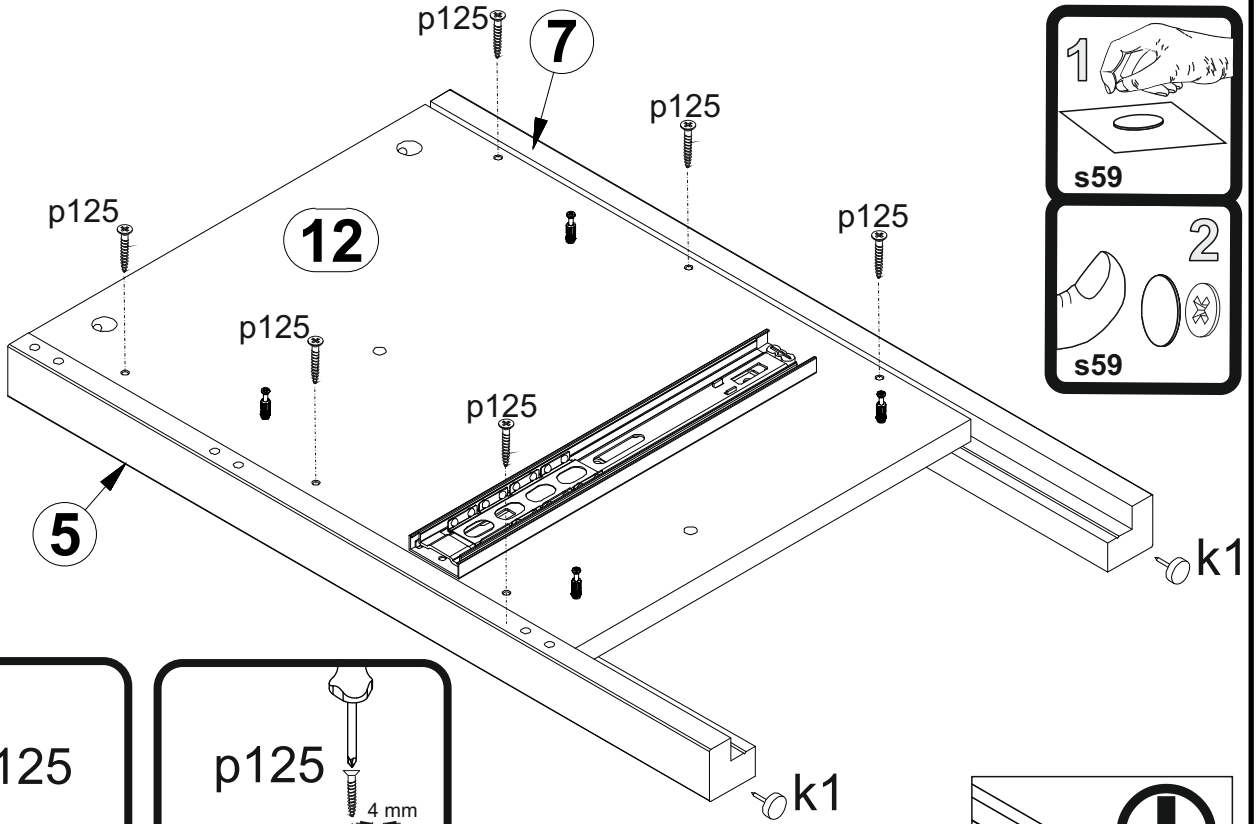
2x a1	2x b1	3x c257	3x 7x50 mm e1	8x x30 mm f1	16x x30 mm f9	1x x50 mm f35
3x M4x20 mm j1	5x k1	20x l1	6x l2	1x n26	5x 25x25x16,2mm n110	4x x40 mm p10
1x 29x13x5\1,5 mm n114	1x x60 mm p17	2x x16 mm p25	8x x13 mm p27	11x x16 mm p38	1x 3x12 mm p54	12x x30 mm p125
18x x12mm r1	18x 20\11 r42	10x 16 s2	1x silikon s50	12x s59	1x t18	1x y1
1x z1	2x HШ300/1	2x HШ300/2				

1

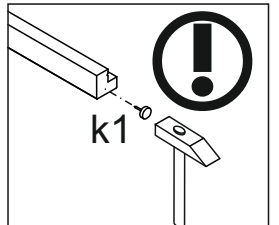
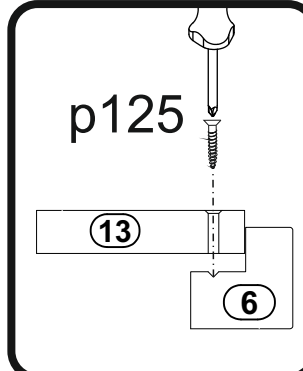
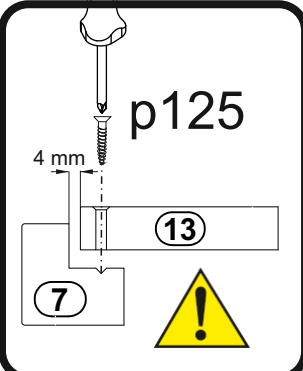
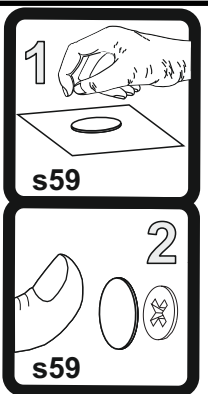
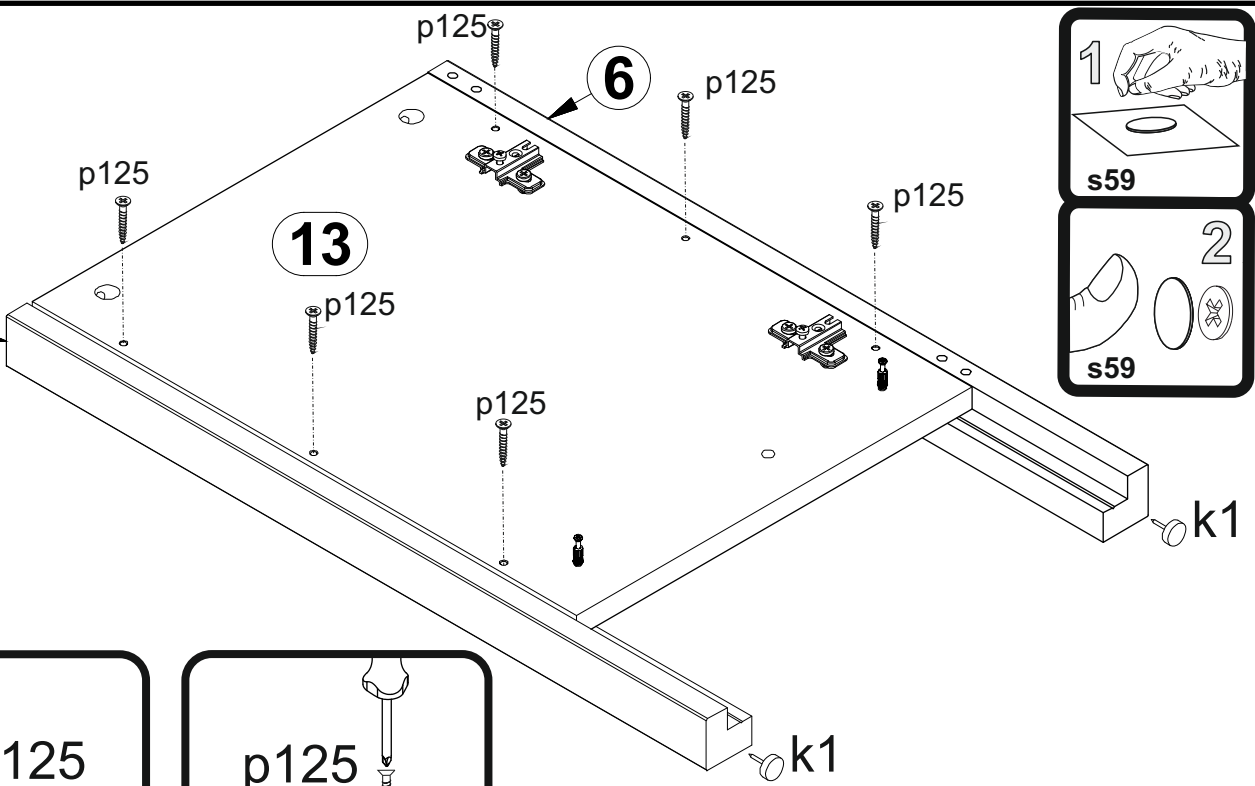




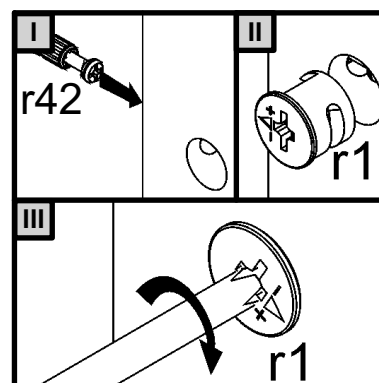
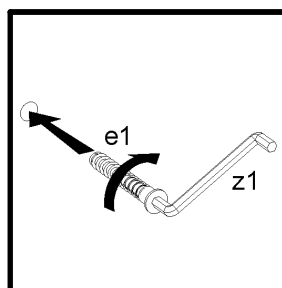
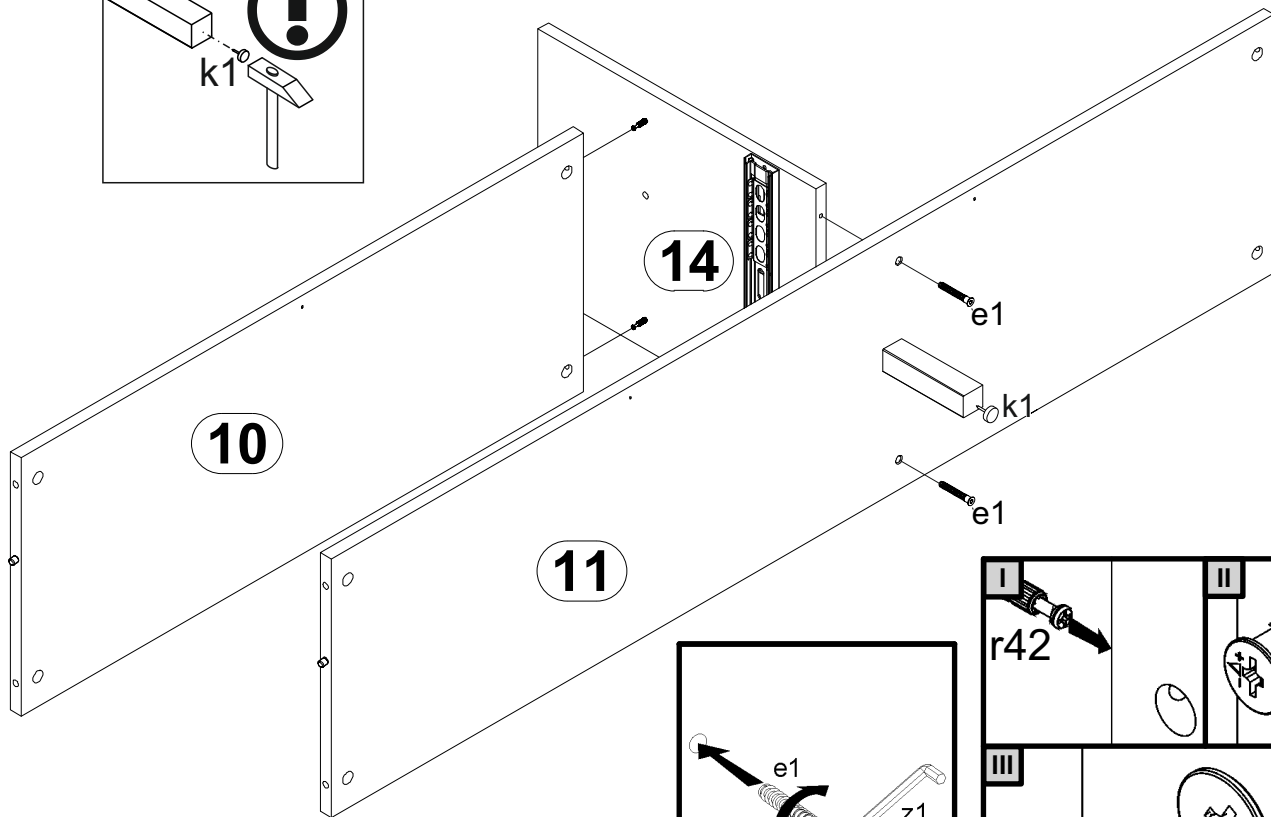
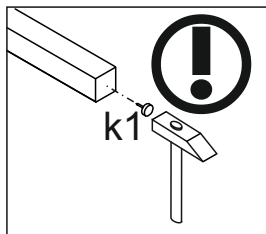
4



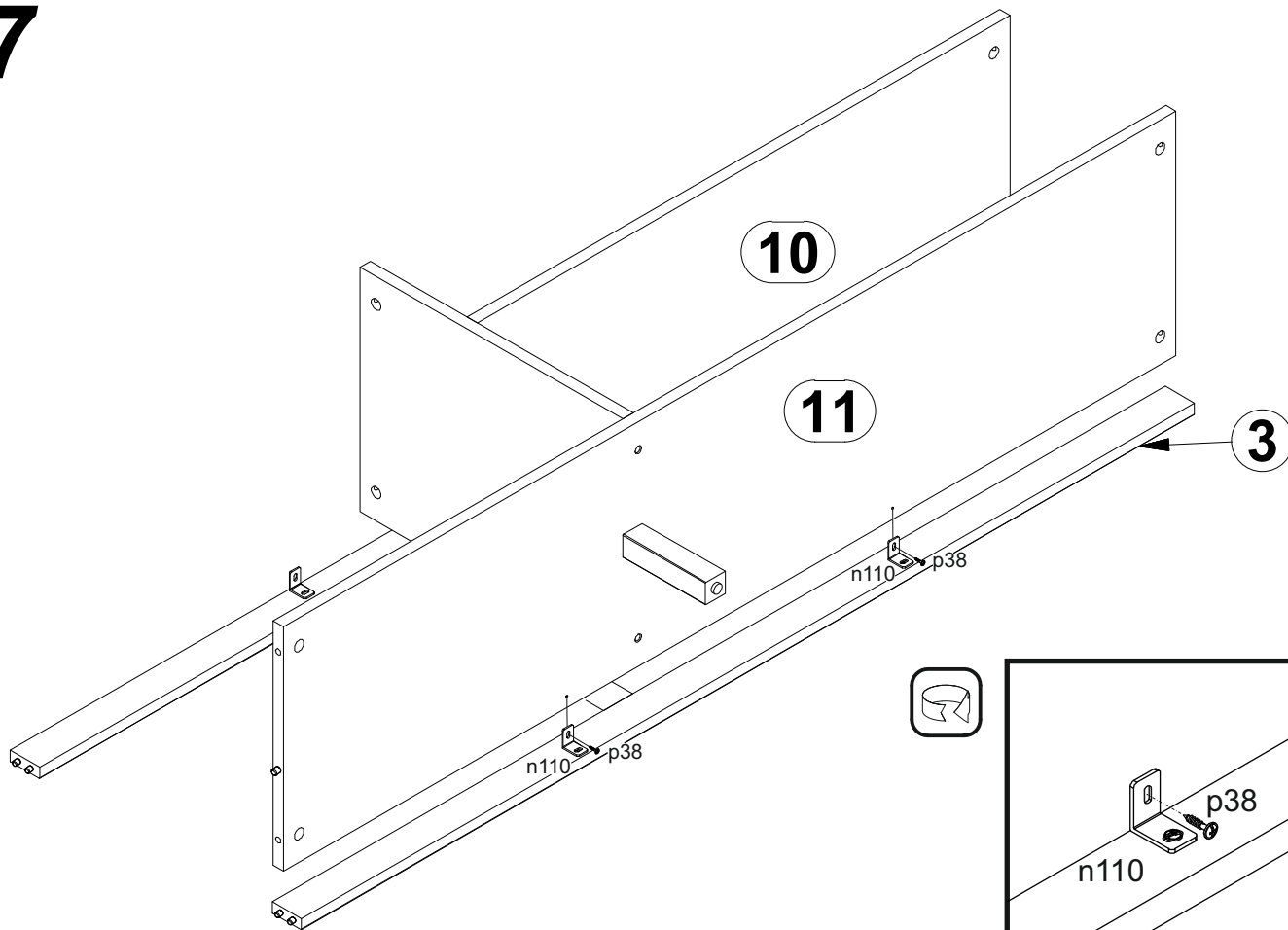
5



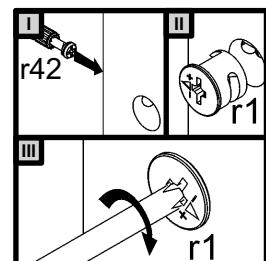
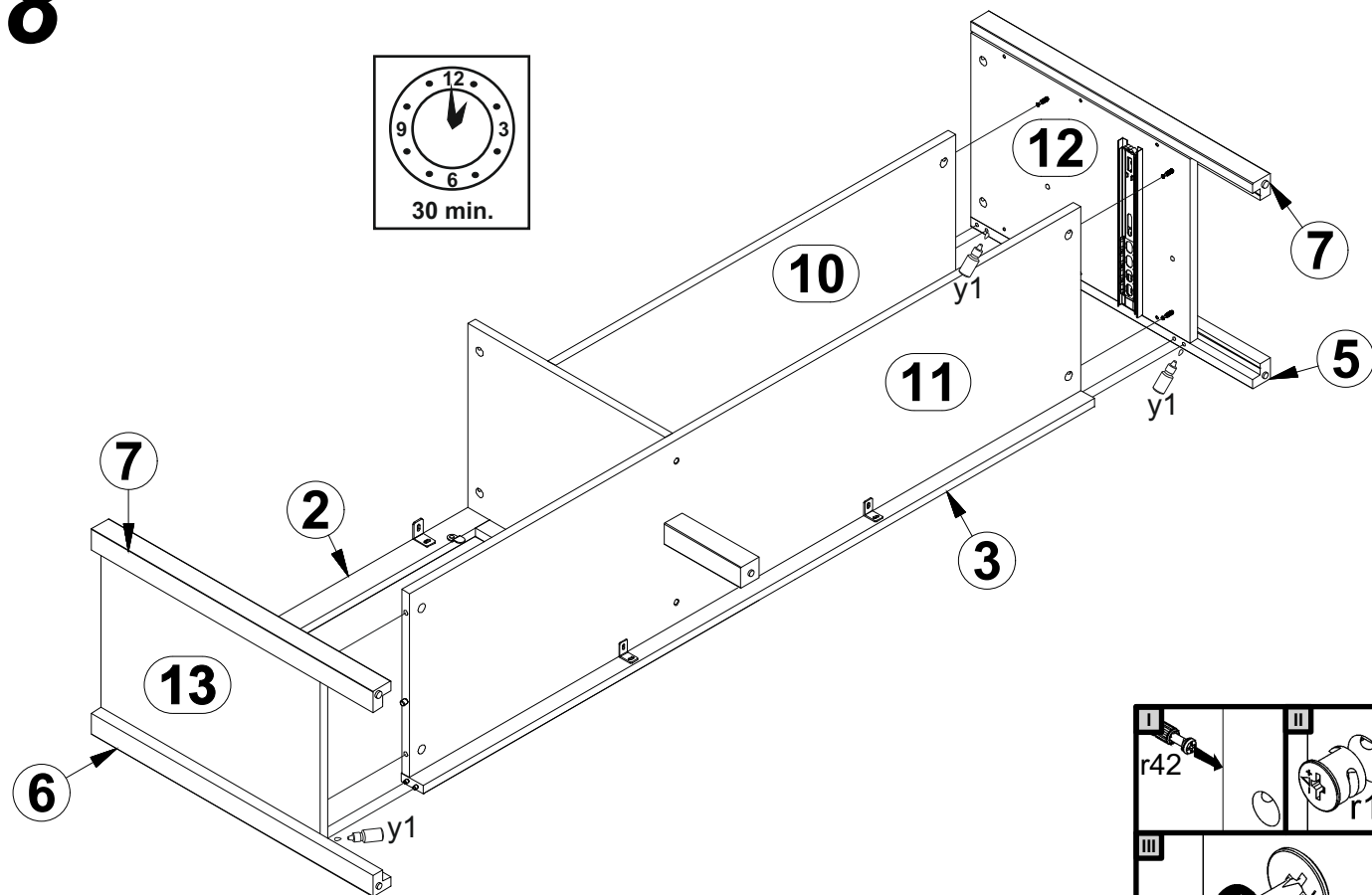
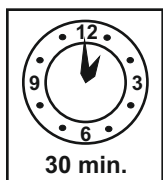
6



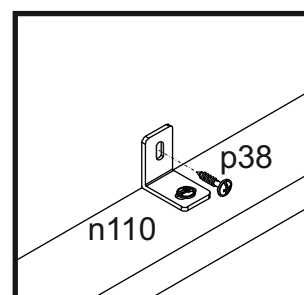
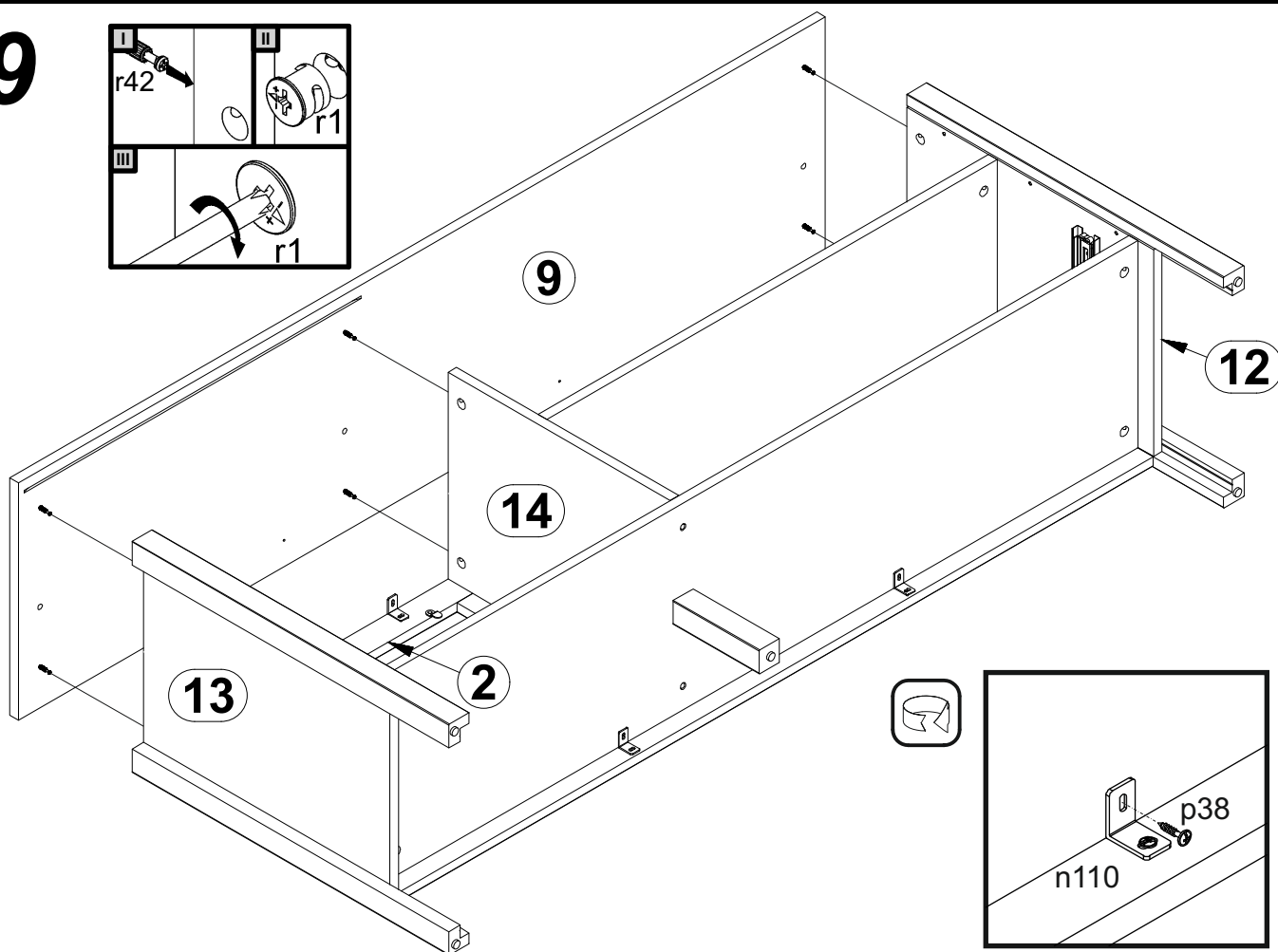
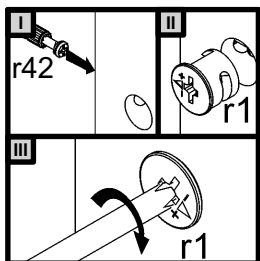
7



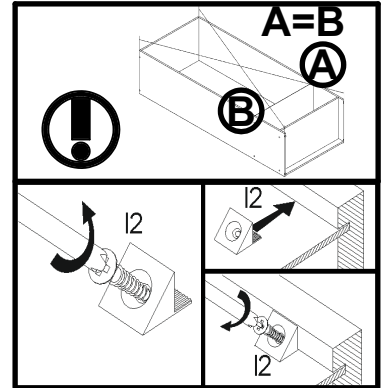
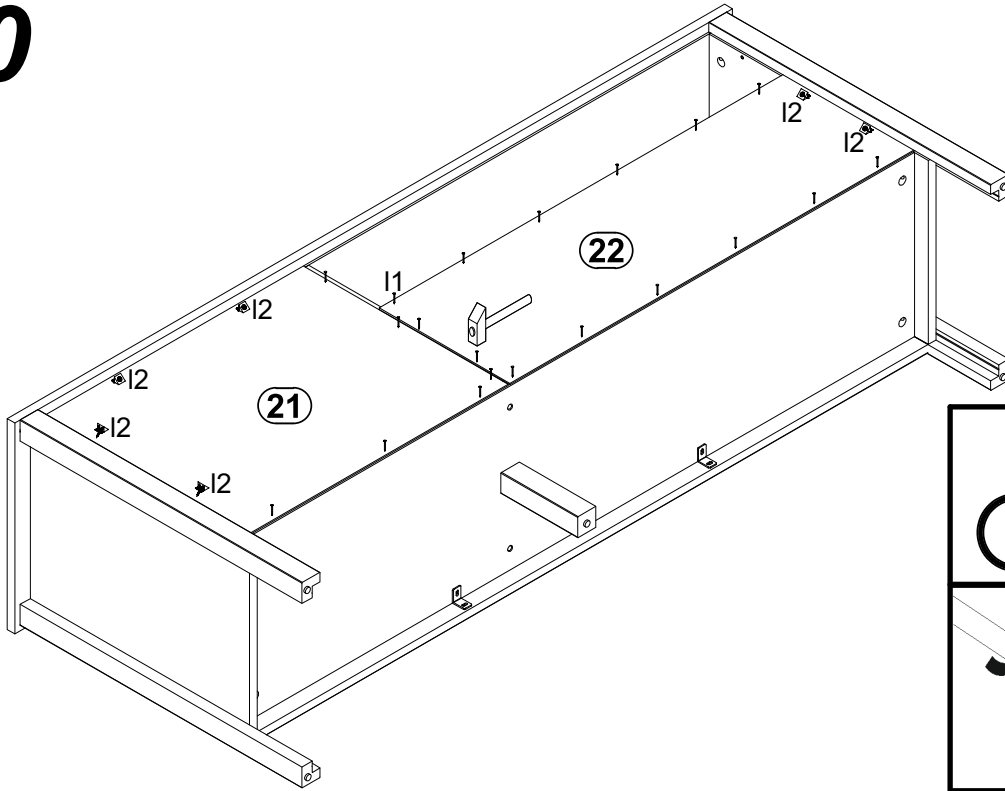
8



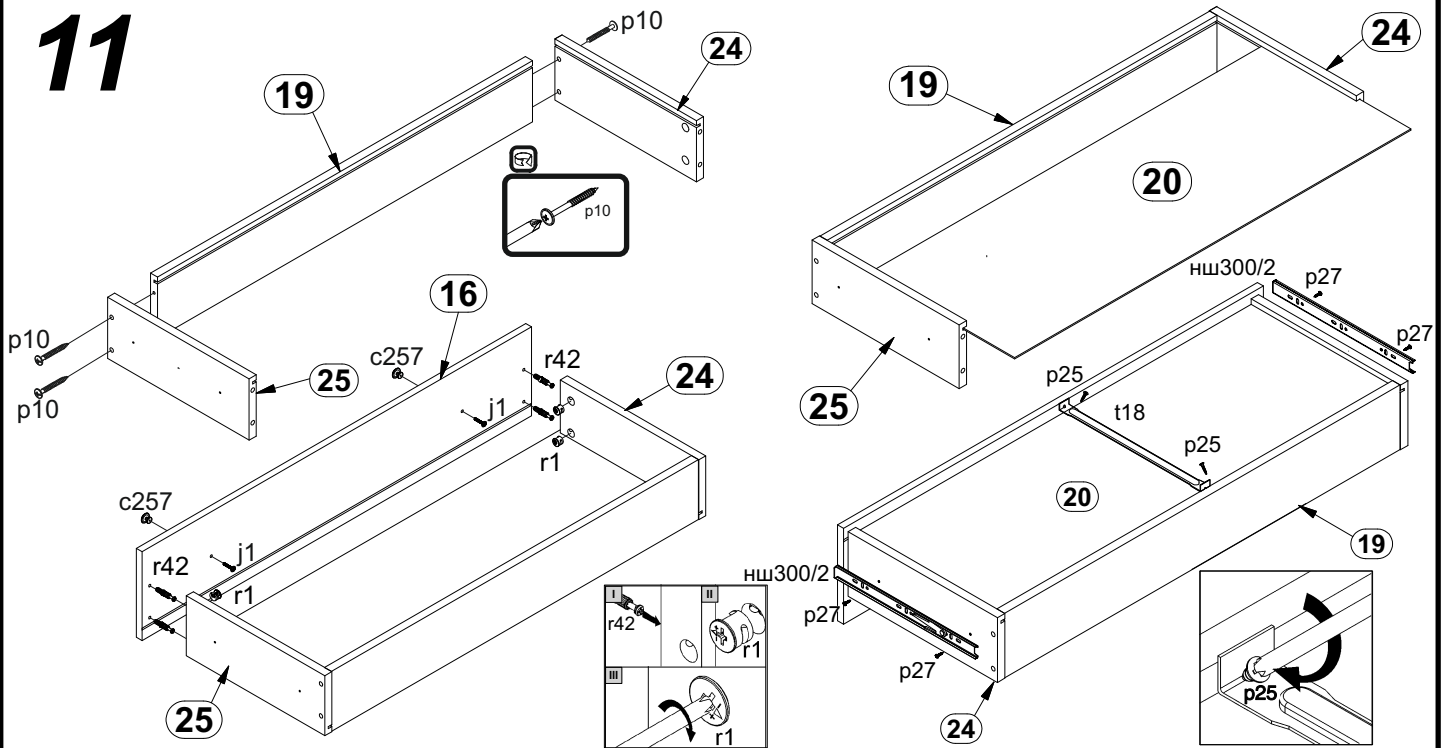
9



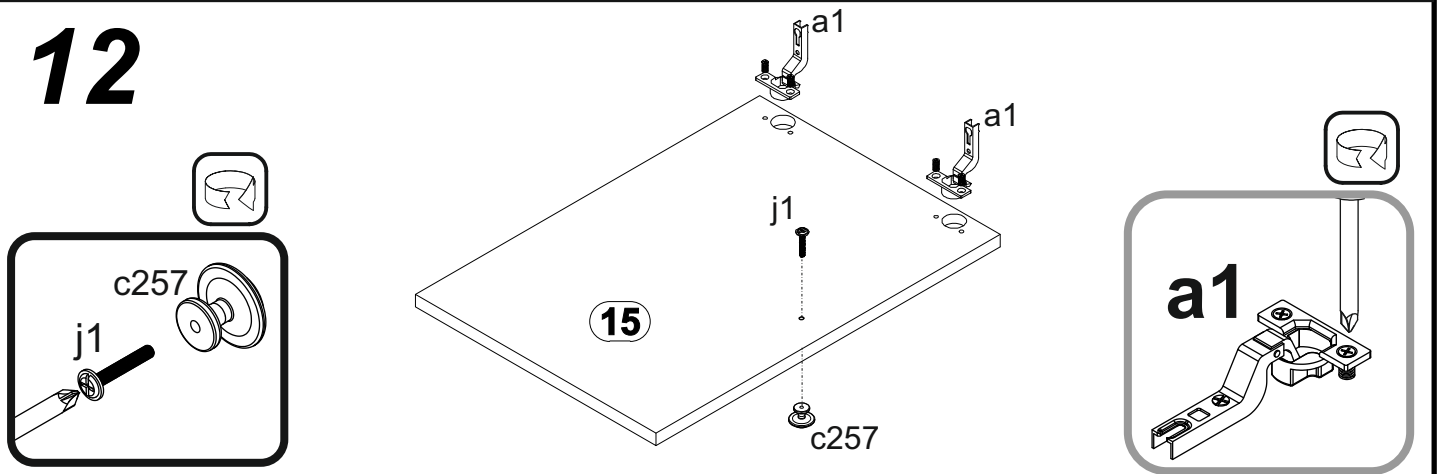
10



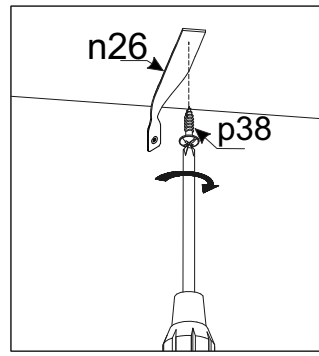
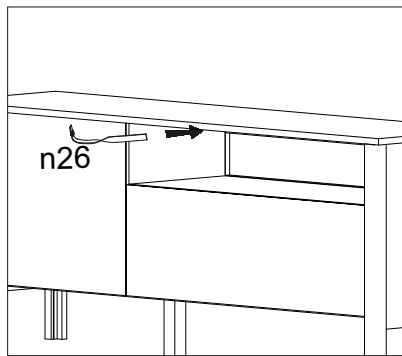
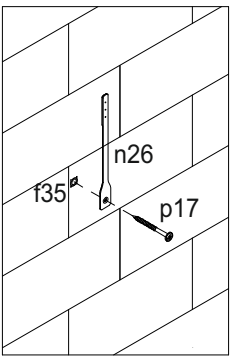
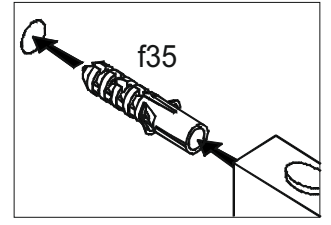
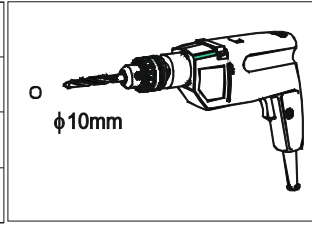
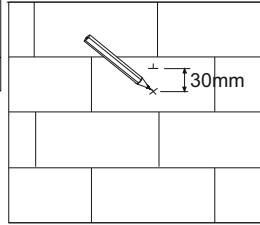
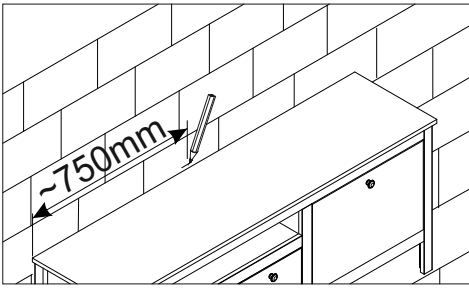
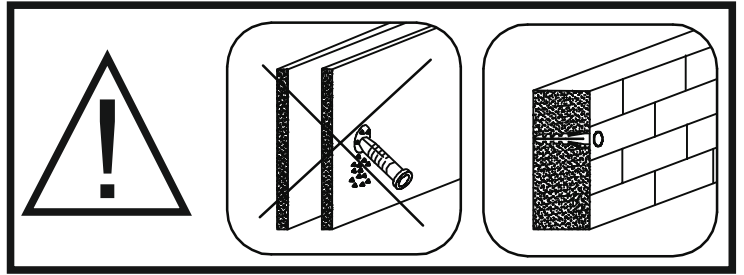
11



12



13



14

